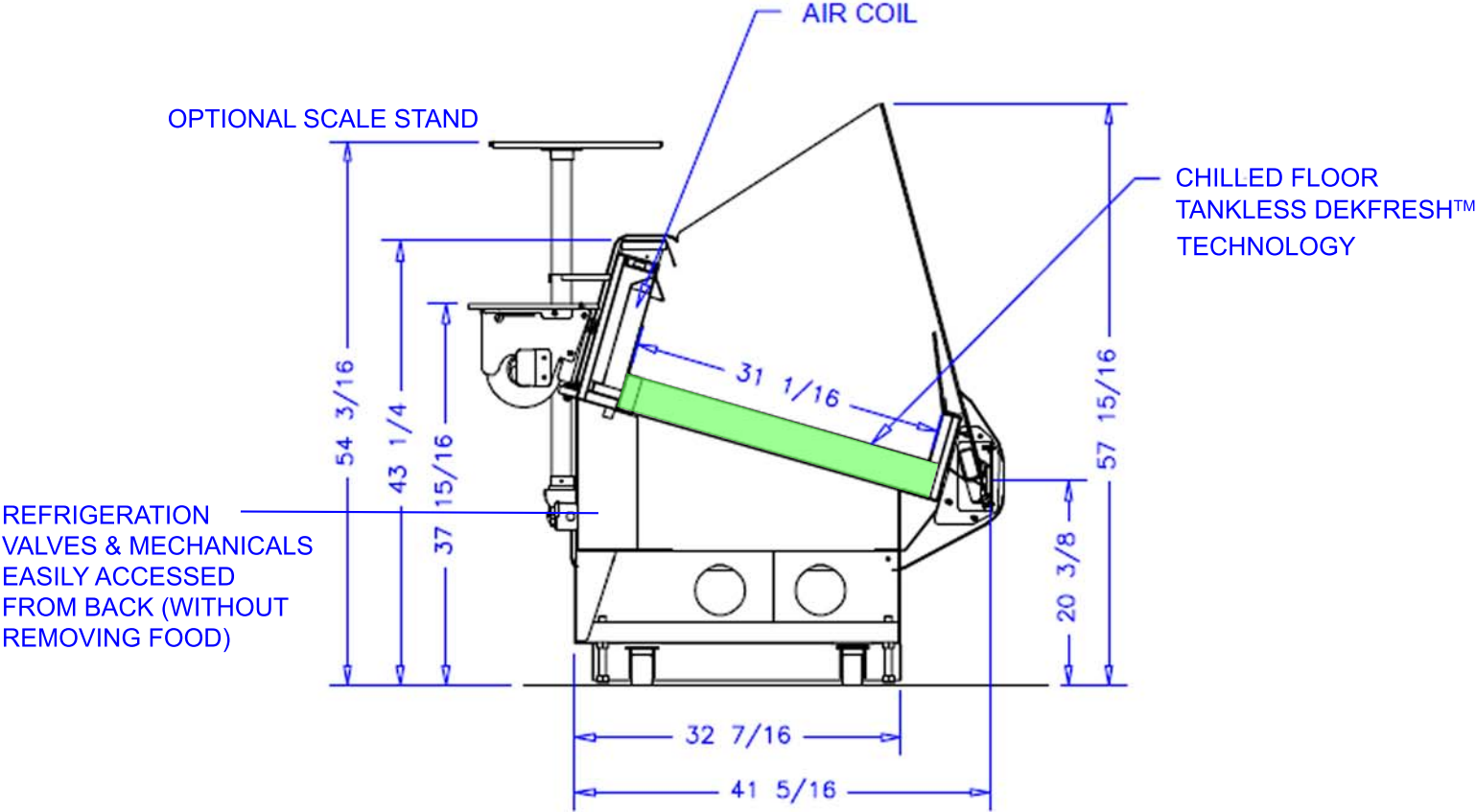


DekFRESH technology™

by **börger**



Patent pending on this proprietary design

© 2018 Borgen Systems - Des Moines, Iowa

