

LEFT OPEN CASE SPECIFICATIONS:

REFRIGERATION
 LOAD: 6,750 BTU/hr
 COIL TEMP: 25°F
 LIQUID STUB: 3/8IN ODS
 SUCTION STUB: 5/8IN ODS

ELECTRICAL 115VAC, 60HZ, 1PH.
 EVAP. FANS: 0.6A
 LED LIGHTS: 1.2A
 CONDENSATE PUMP: 1.0A
 TOTAL: 2.8A
 MCA: 15.0A

ELECTRICAL 230VAC, 60HZ, 1PH.
 EVAP. PAN: 7.2A
 3/4HP COND. UNIT: 6.8A
 TOTAL: 14.0A
 MCA: 16.2A

RIGHT OPEN CASE SPECIFICATIONS:

REFRIGERATION
 LOAD: 6,750 BTU/hr
 COIL TEMP: 25°F
 LIQUID STUB: 3/8IN ODS
 SUCTION STUB: 5/8IN ODS

ELECTRICAL 115VAC, 60HZ, 1PH.
 EVAP. FANS: 0.6A
 LED LIGHTS: 1.2A
 CONDENSATE PUMP: 1.0A
 TOTAL: 2.8A
 MCA: 15.0A

ELECTRICAL 230VAC, 60HZ, 1PH.
 EVAP. PAN: 7.2A
 3/4HP COND. UNIT: 6.8A
 TOTAL: 14.0A
 MCA: 16.2A

3 DOOR CASE SPECIFICATIONS:

REFRIGERATION:
 LOAD: 4,025 BTU/hr
 SUCTION TEMP: 25°F
 SUCTION LINE: 5/8IN ODS
 LIQUID LINE: 3/8IN ODS

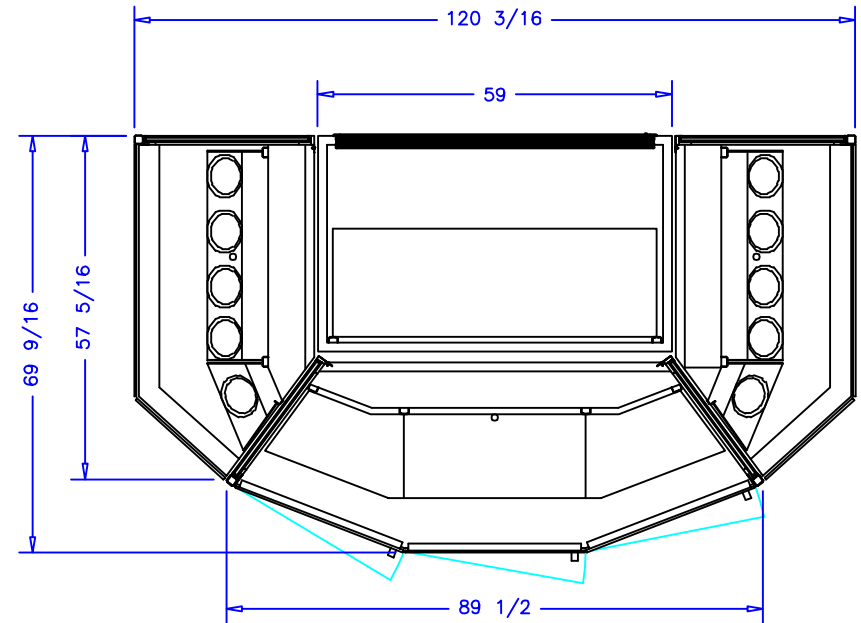
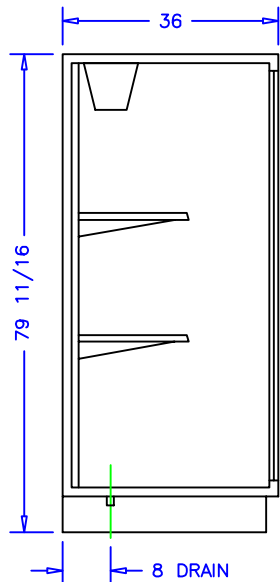
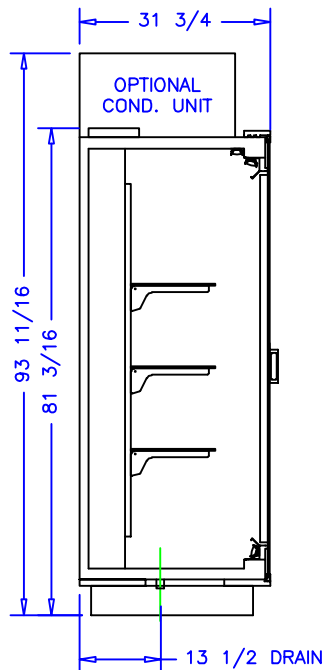
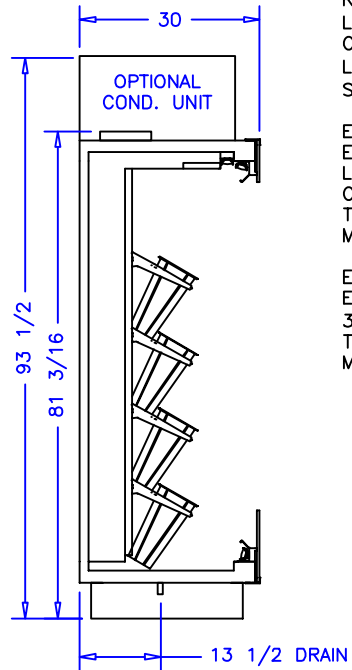
ELECTRICAL 115V, 60HZ, 1PH
 EVAP. FANS: 0.30A
 LIGHT BALLASTS: 2.4A
 CONDENSATE PUMP: 1.0A
 TOTAL: 3.7A
 MCA: 15.0A

ELECTRICAL 230VAC, 60HZ, 1PH.
 1HP COND. UNIT: 6.8A
 TOTAL: 6.8A
 MCA: 9.0A

STORAGE CASE SPECIFICATIONS:

REFRIGERATION:
 CONNECTS TO CU OF 3DR CASE
 LOAD: 3,800 BTU/hr
 SUCTION TEMP: 25°F
 SUCTION LINE: 5/8IN ODS
 LIQUID LINE: 3/8IN ODS

ELECTRICAL 115V, 60HZ, 1PH
 EVAP. FANS: 0.60A
 LIGHT BALLASTS: 1.2A
 CONDENSATE PUMP: 1.0A
 TOTAL: 2.8A
 MCA: 15.0A



NOTES:

1. OPTIONS NOT SHOWN ON DRAWING SHOULD BE LISTED IN WRITTEN PROPOSAL AND LISTED ON PURCHASE ORDER.
2. ELEC. CONNECTION: 115V/230V, 4x4 SUPPLY BOX AS NEEDED.
3. EXPANSION VALVES: SPORLAN "Q" SERIES STANDARD UNLESS OTHERWISE SPECIFIED.
4. DEFROST CONTROL: REMOTE CASES (N/A, DIGITAL CASE CONTROLLERS AVAILABLE), OPTIONAL CONDENSING UNIT (DIGITAL CASE CONTROLLER).
5. THERMOSTATS & LIQUID LINE SOLENOID VALVES: OPTIONAL.
6. DRAIN: 1 1/2 INCH PVC.
7. SPECIFICATIONS SUBJECT TO CHANGE WITHOUT NOTICE.

AUTHORIZATION (PRINT):		DATE:				SCALE: 1:32		DRAWN BY: D HUNT	
SIGNATURE:						DATE: 6-29-17		CHECKED BY:	
				4-10-18 DRH		3DR, (2) 3FT OPEN & STORAGE			
				3-16-18 DRH					
				DATE		REV.		DIA: INCH	
				REVISION		TOL:		DRAWING NUMBER P7369	