

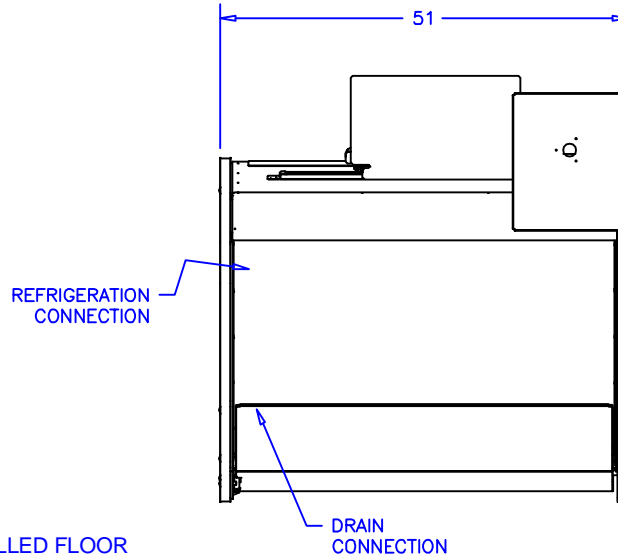
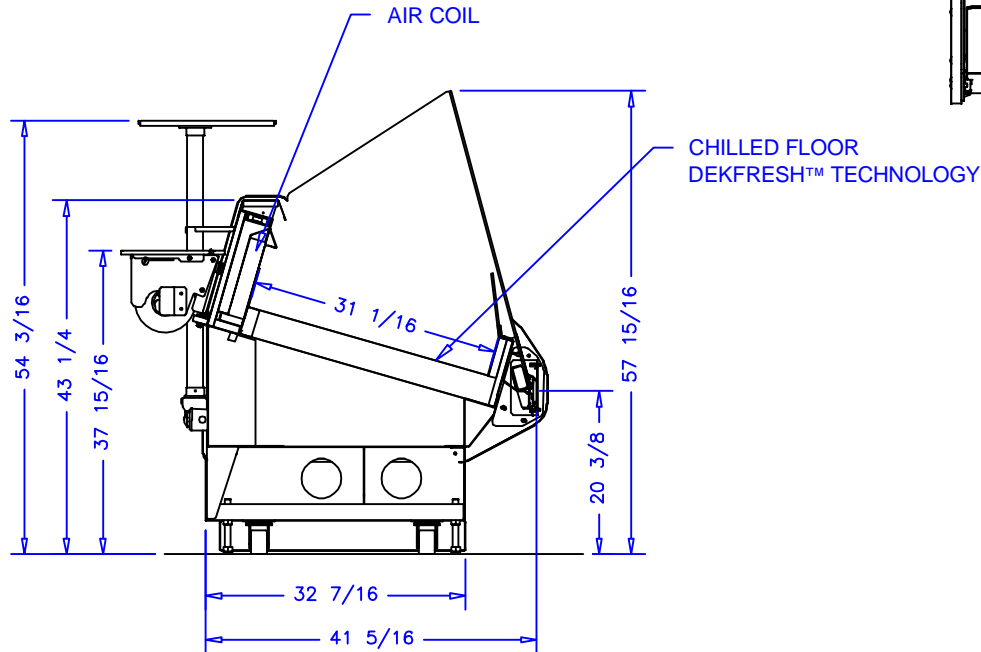
CASE SPECIFICATIONS:

REFRIGERATION:

CASE LOAD: 1,120 BTU/hr
 280 BTU/hr/ft
 COIL TEMP: 17° F
 LIQUID STUB: 3/8IN ODS
 SUCTION STUB: 5/8IN ODS

ELECTRICAL 115VAC, 60HZ, 1PH.
 FANS (2): 0.24A
 TOTAL: 0.24A


SUPER HEAT 8°F
 SET POINT 27°F
 DIFFERENTIAL 2°F
 DEFROST: 6HR INTERVALS FOR 35 MIN.



NOTES:

1. OPTIONS NOT SHOWN ON DRAWING SHOULD BE LISTED IN WRITTEN PROPOSAL AND LISTED ON PURCHASE ORDER.
2. ELEC. CONNECTION: 115V/230V, 4x4 SUPPLY BOX AS NEEDED.
3. EXPANSION VALVES: SPORLAN "Q" SERIES STANDARD UNLESS OTHERWISE SPECIFIED.
4. DEFROST CONTROL: REMOTE CASES (N/A, DIGITAL CASE CONTROLLERS AVAILABLE), OPTIONAL CONDENSING UNIT (DIGITAL CASE CONTROLLER).
5. THERMOSTATS & LIQUID LINE SOLENOID VALVES: OPTIONAL.
6. DRAIN: 1 1/2 INCH PVC.
7. SPECIFICATIONS SUBJECT TO CHANGE WITHOUT NOTICE.



AUTHORIZATION (PRINT):		DATE:		 börgeren systems		DRAWN BY: D HUNT	
SIGNATURE:						CHECKED BY:	
				SCALE: 1:32			
				DATE: 5-2-17			
		5-6-17 DRH		4FT OPEN SERVICE DFT			
DATE		REV.		DIM: INCH		DRAWING NUMBER	
REVISION		TOL:				P7325	