

Part Description: 818-9208 iPro Display, Visograph 2.0

Borgen Part Number: 65146

To order this part from Borgen Systems:

Phone 800-383-7509

Email: [service@borgensystems.com](mailto:service@borgensystems.com)

### VISOGRAPH 2.0: new graphic keyboard

Visograph 2.0, the evolution of Visograph LCD interface, maintains the same features, but with a new look and the possibility to use the on-board probes for temperature and humidity control.



Temperature/humidity probe on board



Alarms and power supply LEDs



Membrane keyboard



Quick panel or wall installation

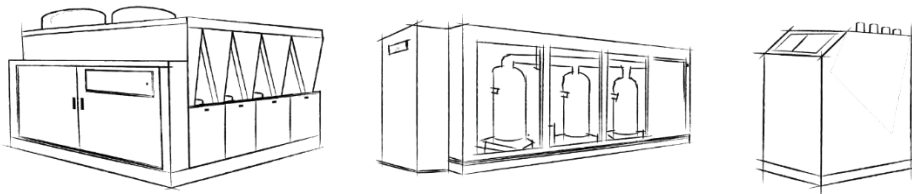


Quick programming by Hot Key

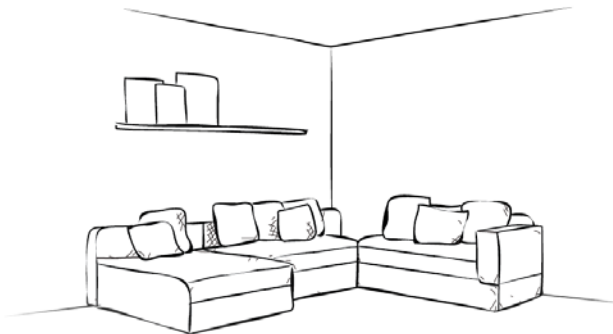
The **Visograph 2.0** graphical keyboards are characterized by a new design and a keyboard membrane and represent the ideal solution for interfacing with compatible Dixell controllers; they provide detailed information on the status of the machine via an intuitive and complete interface. The keyboards, for panel or wall mounting, are available in black and white, with flat or chamfered frame.

### 1 MAIN APPLICATIONS

Visograph 2.0 keyboards are available with dedicated software for **Chillers and Compressor racks**, also with **CO<sub>2</sub>**.

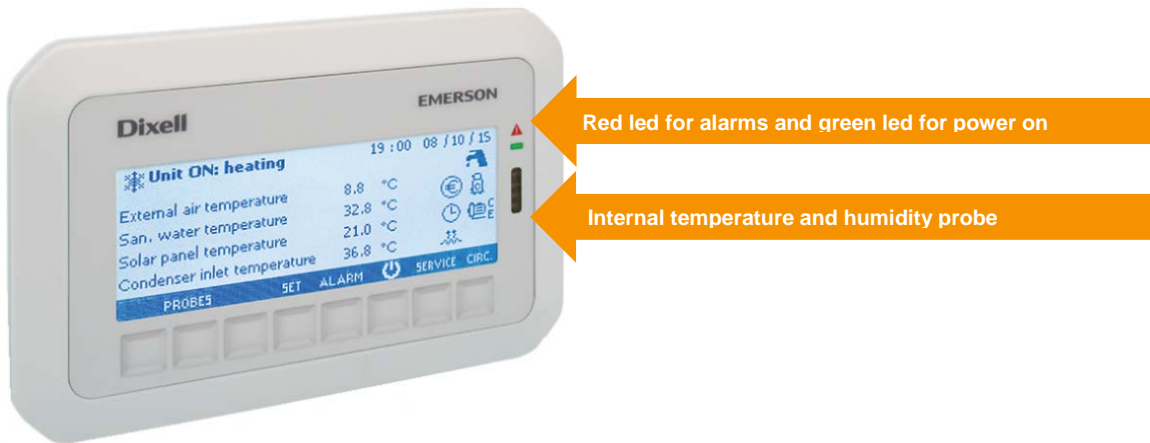


Visograph 2.0 is also available for **iProGENIUS** programmable controllers; in this case the software needs to be customized by the user. The white keyboard, in combination with the on-board probe for temperature/humidity management, makes it the ideal solution for **residential environments**.



Keyboard	Compatible product
V2IPC	iProCHILL
V2I820	IC200 EVO
V2I890	IC290D - IC291D
V2IPR	iProRACK
V2IPRC	iProRACK for CO <sub>2</sub>
V2IPG	iProGENIUS

### 2 FEATURES



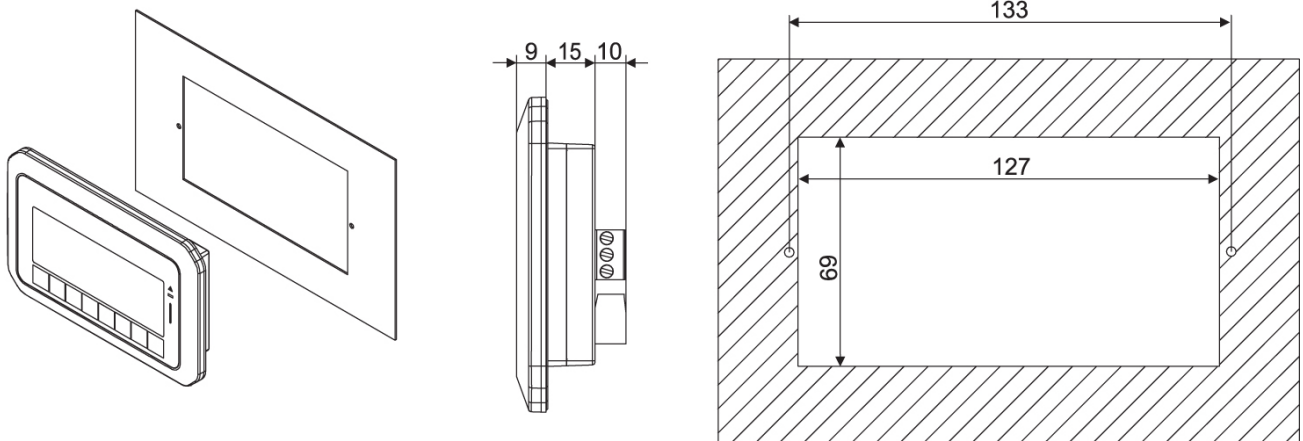
	<b>Frontal LEDs</b> (red and green)		Maximum distance from the controller: <b>100m</b>
	<b>LCD display</b> (240x96pixels)		<b>Temperature/humidity</b> on-board probe
	Using the <b>VISOPROG</b> programming tool for the creation of graphical user interfaces		Possibility to connect an additional <b>remote probe</b>
	Support for <b>UNICODE</b> characters (Oriental languages)		<b>Visokey</b> connection to upload or download the application

### 3 DATI TECNICI

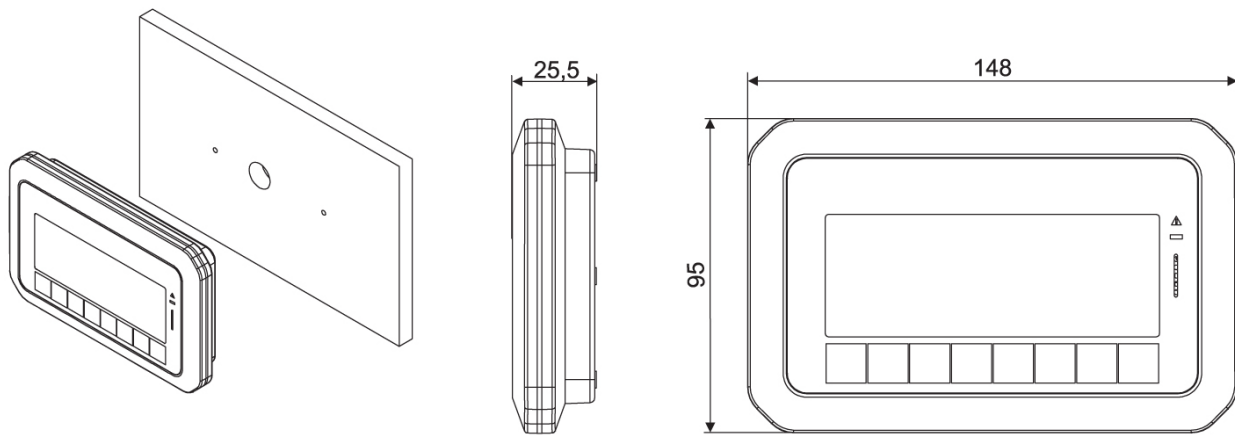
FEATURE	
Power supply	By the controller
Housing	Self extinguishing ABS
Display	240x96pixels, monochromatic LCD display
LED	Red (alarm), green (power on)
Keyboard	Membrane keyboard / 8 keys
Dimensions	Front 95x148mm; 25mm depth for panel mounting and 25,5mm for wall mounting
Mounting	Panel mounting on 89x127mm hole or wall (same drilling template of Visograph 1.0)
Front protection	<b>Panel mounting:</b> model without on-board probes: IP54 model with on-board probes: IP30 <b>Wall mounting:</b> IP30
Probes (optional)	Temperature probe (on board) Humidity probe (on board) Output for external temperature probe
Outputs / Inputs	VISOKEY
Buzzer	Optional
Connections	Screw connector, max. 2.5mm <sup>2</sup>
Operating temperature	-10÷60°C (14÷140°F)
Storage temperature	-30÷70°C (-22÷158°F)
Relative humidity	20÷85% (non condensing)

### 3.1 DIMENSIONS & CUT OUT

#### PANEL MOUNTING

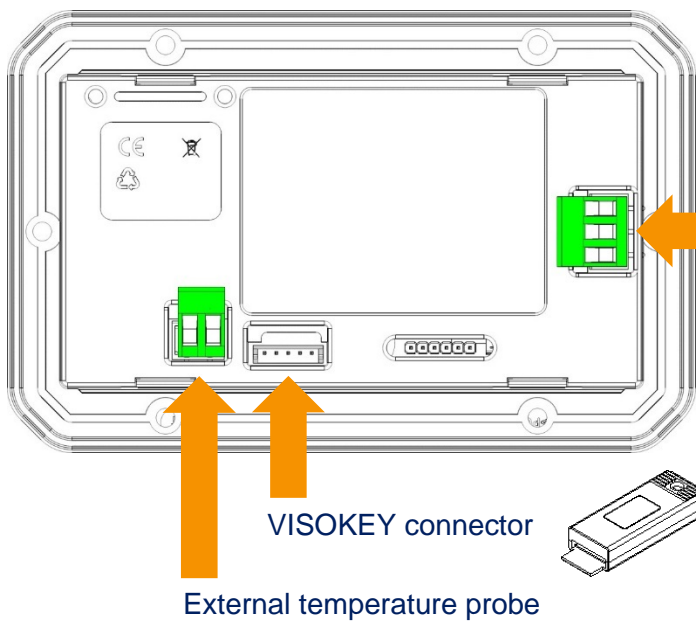


#### WALL MOUNTING





### 3.2 CONNECTIONS

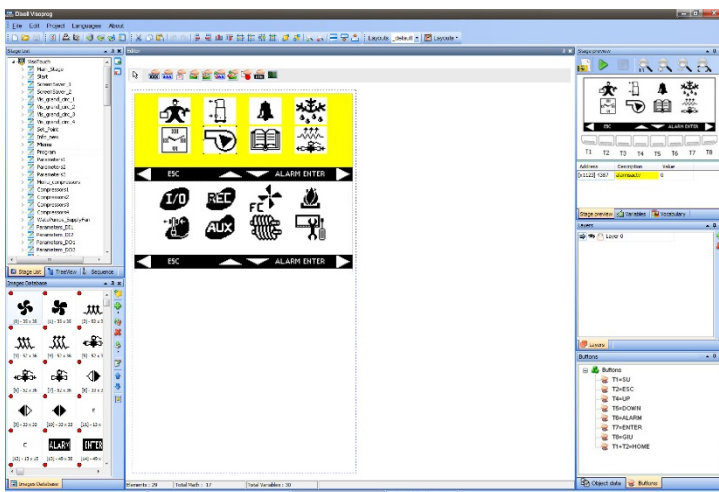


Connection to the controller

- +12V
- Signal
- GND

### 4 PROGRAMMING

The software for **V2IPG** keyboards (without integrated software), thanks to the **VISOPROG** programming tool, can be created in an easy and fast way.



Applications developed for Visograph are compatible with Visograph 2.0



### 5 MAIN ACCESSORIES



#### VISOKEY 2.0

Key for the programming of Visograph 2.0 keyboards  
Size: 0,8x16x46mm

### 6 HOW TO ORDER

V2IPC - **ABCD** 0

V2IPG - **ABCD** 0

V2I820 - **ABCD** 0

V2I890 - **ABCD** 0

A		B		C		D	
Buzzer / Probes		Mounting		Frame / Color		Character encoding	
0	No / No	P	Panel	0	Flat / White	0	Ascii
1	Yes / No	W	Wall	1	Chamfered / White	1	Unicode
2	No / Yes			2	Flat / Black		
3	Yes / Yes			3	Chamfered / Black		

**NB:** please, contact Dixell for information about controllers with software that manages the on-board probes



V2IPR-**AB 2 D 0**  
V2IPRC-**AB 2 D 0**

A		B		D	
Buzzer / Probes		Mounting		Character encoding	
0	No	P	Panel	0	Ascii
1	Yes	W	Wall	1	Unicode

## 7 PRICES

Contact our Sales department for prices.

## 8 AVAILABILITY and ORDERS

Models are available with standard delivery time.