

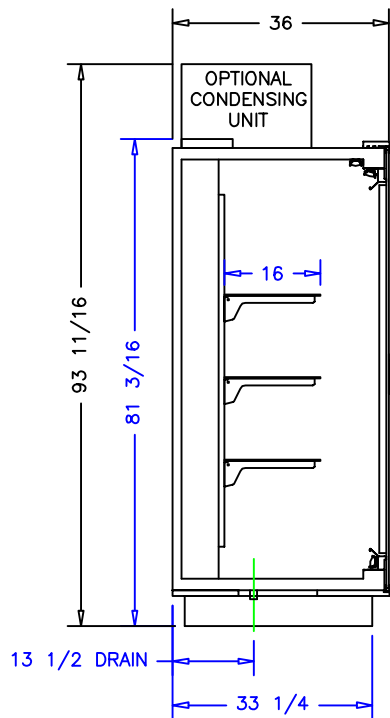
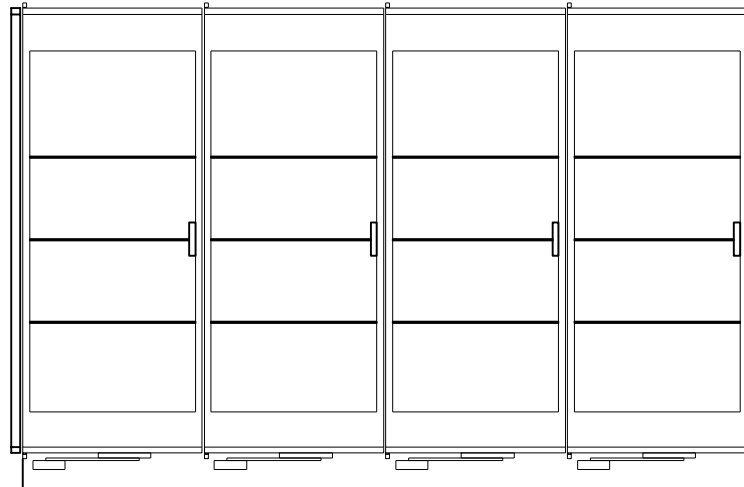
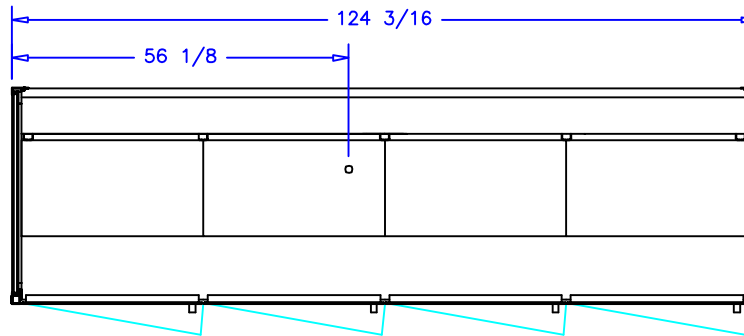
CASE SPECIFICATIONS:

REFRIGERATION:

LOAD: 5,200 BTU/hr  
 COIL TEMP: 25°F  
 SUCTION STUB: 5/8IN ODS  
 LIQUID STUB: 3/8IN ODS

ELECTRICAL 115V, 60HZ, 1PH  
 EVAP. FANS: 0.60A  
 LED LIGHT: 2.4A  
 CONDENSATE PUMP: 1.0A  
 CONDENSATE PAN: 5.2A  
 TOTAL: 9.2A  
 MCA: 15.0A


ELECTRICAL 208/230V, 60HZ, 1PH  
 3/4 HP COND. UNIT: 6.8A  
 TOTAL: 6.8A  
 MCA: 9.6A



NOTES:

1. OPTIONS NOT SHOWN ON DRAWING SHOULD BE LISTED IN WRITTEN PROPOSAL AND LISTED ON PURCHASE ORDER.
2. ELEC. CONNECTION: 115V/230V, 4x4 SUPPLY BOX AS NEEDED.
3. EXPANSION VALVES: SPORLAN "Q" SERIES STANDARD UNLESS OTHERWISE SPECIFIED.
4. DEFROST CONTROL: REMOTE CASES (N/A, DIGITAL CASE CONTROLLERS AVAILABLE), OPTIONAL CONDENSING UNIT (DIGITAL CASE CONTROLLER).
5. THERMOSTATS & LIQUID LINE SOLENOID VALVES: OPTIONAL.
6. DRAIN: 1 1/2 INCH PVC.
7. SPECIFICATIONS SUBJECT TO CHANGE WITHOUT NOTICE.



AUTHORIZATION (PRINT):	DATE:			 <b>börgeren systems</b>		SCALE: 1:32	DRAWN BY: D HUNT
						DATE: 3-22-16	CHECKED BY:
		4 DOOR					
		DATE	REV.	DWG.	INCH		
		REVISION		TOL:		DRAWING NUMBER P7068	