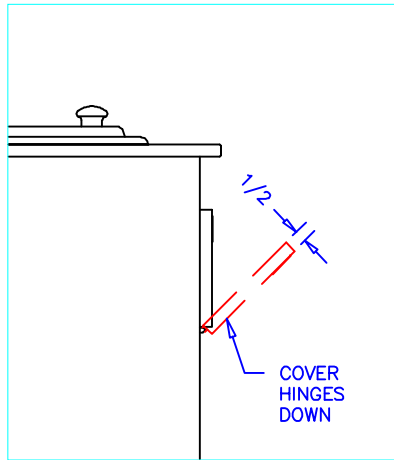
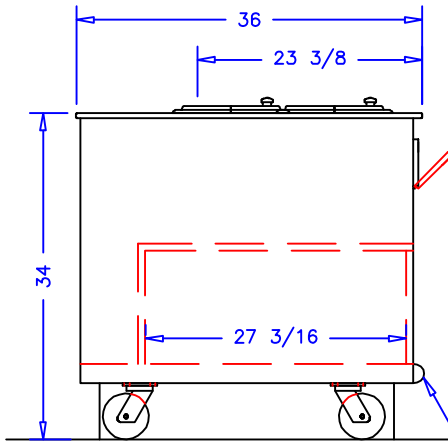
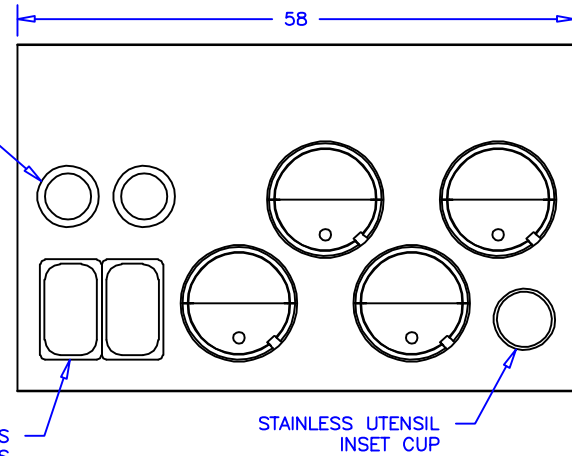


CASE SPECIFICATIONS:

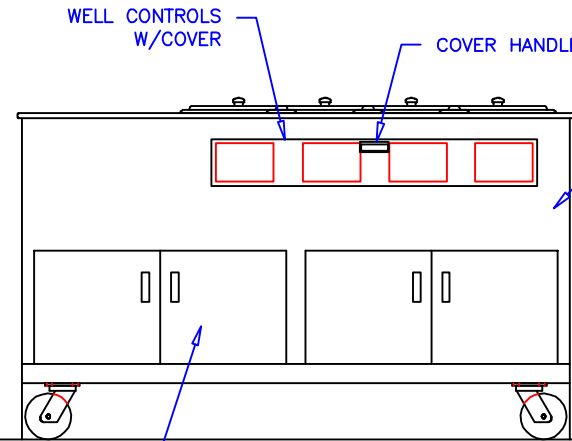
ELECTRICAL 115VAC, 60HZ, 1PH.  
 11 QT ROUND WELLS (INDUCTIVE): 9.2A  
 TOTAL: 36.8A  
 MCA: 40.0A



(2) CUP/BOWL DISPENSERS




MC CUE BUMPER (BLACK)



VERTICAL SURFACES LAMINATE TBD

NOTES:

1. OPTIONS NOT SHOWN ON DRAWING SHOULD BE LISTED IN WRITTEN PROPOSAL AND LISTED ON PURCHASE ORDER.
2. ELEC. CONNECTION: 115V/230V, 4x4 SUPPLY BOX AS NEEDED.
3. EXPANSION VALVES: SPORLAN "Q" SERIES STANDARD UNLESS OTHERWISE SPECIFIED.
4. DEFROST CONTROL: REMOTE CASES (N/A, DIGITAL CASE CONTROLS AVAILABLE), OPTIONAL CONDENSING UNIT (DIGITAL CASE CONTROLLER).
5. THERMOSTATS & LIQUID LINE SOLENOID VALVES: OPTIONAL.
6. DRAIN: 1 1/2 INCH PVC.
7. SPECIFICATIONS SUBJECT TO CHANGE WITHOUT NOTICE.

AUTHORIZATION (PRINT):	DATE:	 <b>börgeren systems</b>		DRAWN BY: D HUNT	
SIGNATURE:	1-26-17 DRH 1-18-17 DRH 1-13-17 DRH 1-10-17 DRH			SCALE: 1:24	CHECKED BY:
				DATE: 1-6-17	7 1/2FT SOUP BAR
				DATE REV. DIM. INCH	DRAWING NUMBER
REVISION	TOL:		P7239		