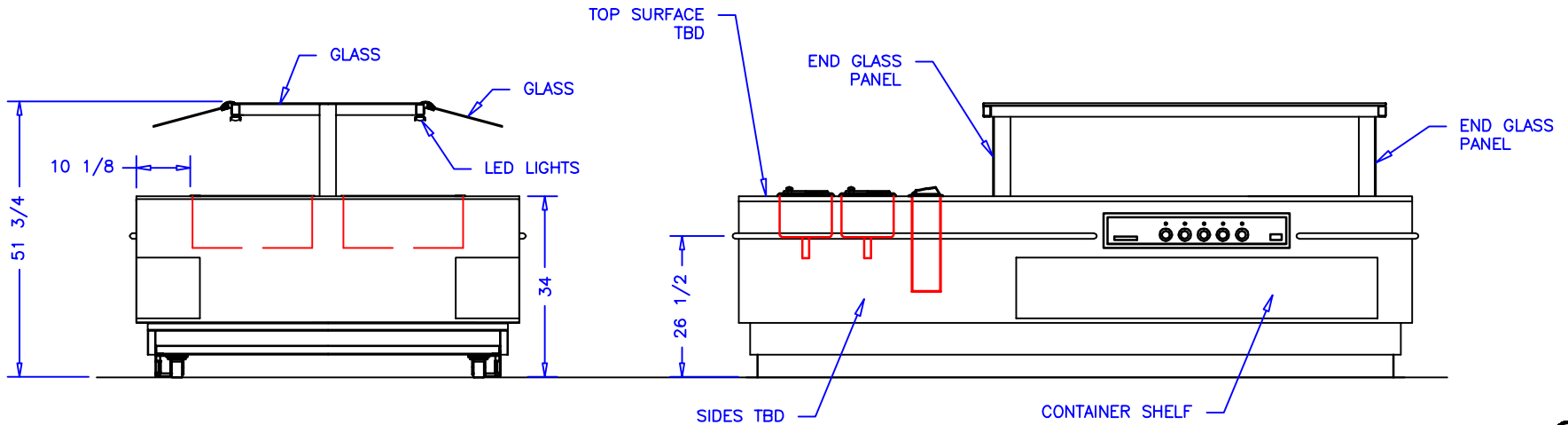
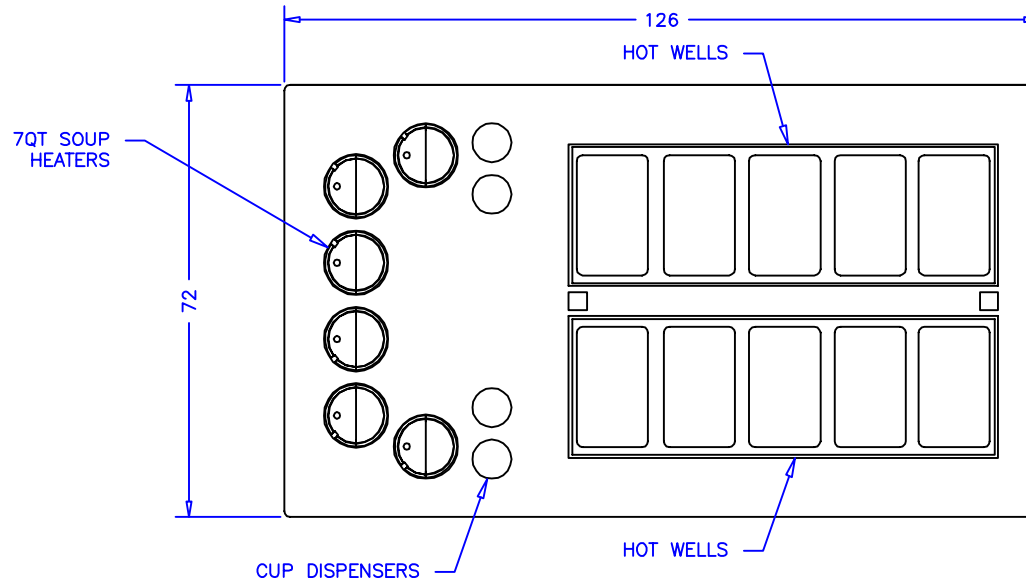


CASE SPECIFICATIONS:

SNEEZE GUARD
ELECTRICAL 115VAC, 60HZ, 1PH.
LIGHTS: 1.2A
TOTAL: 1.2A

PAN HEATERS (SINGLE PHASE OPTION)
ELECTRICAL 208VAC, 60HZ, 1PH.
5 FULL SIZE PANS: 30.0A
5 FULL SIZE PANS: 30.0A
TOTAL: 60A


SOUP HEATERS
ELECTRICAL 208VAC, 60HZ, 1PH.
(6) SOUP 7QT (HATCO) HEATERS: 3.4A
TOTAL: 20.4A



NOTES:

1. OPTIONS NOT SHOWN ON DRAWING SHOULD BE LISTED IN WRITTEN PROPOSAL AND LISTED ON PURCHASE ORDER.
2. ELEC. CONNECTION: 115V/230V, 4x4 SUPPLY BOX AS NEEDED.
3. EXPANSION VALVES: SPORLAN "Q" SERIES STANDARD UNLESS OTHERWISE SPECIFIED.
4. DEFROST CONTROL: REMOTE CASES (N/A, DIGITAL CASE CONTROLLERS AVAILABLE), OPTIONAL CONDENSING UNIT (DIGITAL CASE CONTROLLER).
5. THERMOSTATS & LIQUID LINE SOLENOID VALVES: OPTIONAL.
6. DRAIN: 1 1/2 INCH PVC.
7. SPECIFICATIONS SUBJECT TO CHANGE WITHOUT NOTICE.



AUTHORIZATION (PRINT):		DATE:		 börgeren systems		SCALE: 1:32		DRAWN BY: D HUNT	
SIGNATURE:						DATE: 4-9-14		CHECKED BY:	
10 1/2FT HOT ISLAND						DATE		REV.	
						REVISION		TOL:	
						DIM: INCH		DRAWING NUMBER	
								P6634	