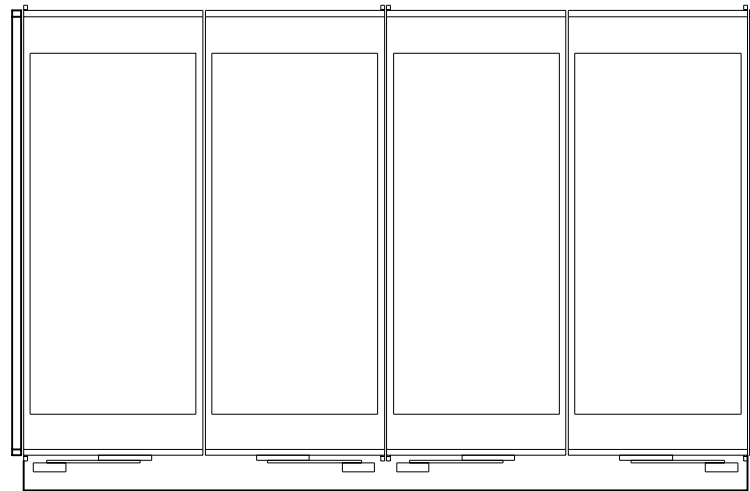
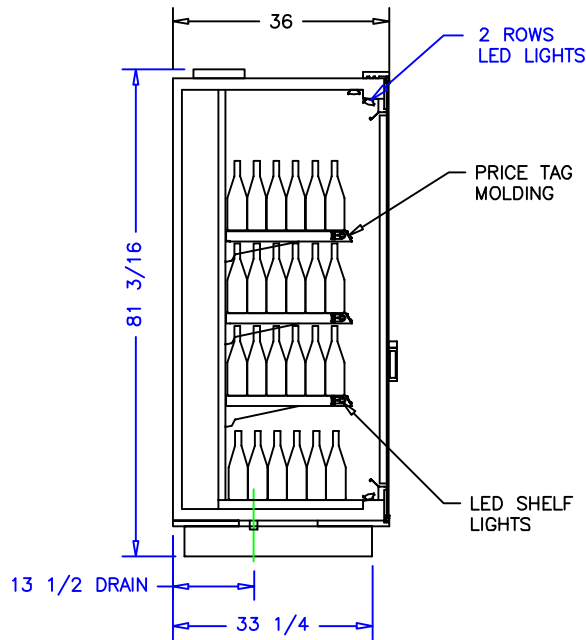
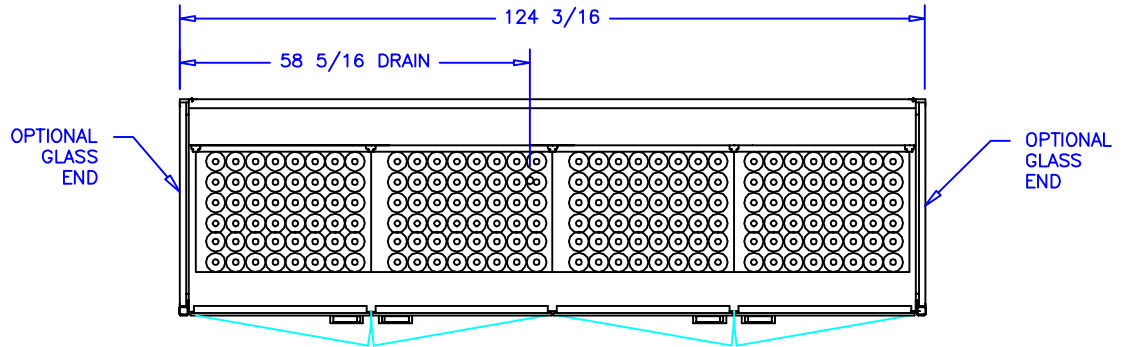


CASE SPECIFICATIONS:

REFRIGERATION:


LOAD: 5,060 BTU/hr
 SUCTION TEMP: 30°F
 SUCTION LINE: 5/8IN ODS
 LIQUID LINE: 3/8IN ODS

ELECTRICAL 115V, 60HZ, 1PH
 EVAP. FANS: 0.60A
 LED LIGHTS: 4.8A
 TOTAL: 5.4A
 MCA: 15.0A



NOTES:

1. OPTIONS NOT SHOWN ON DRAWING SHOULD BE LISTED IN WRITTEN PROPOSAL AND LISTED ON PURCHASE ORDER.
2. ELEC. CONNECTION: 115V/230V, 4x4 SUPPLY BOX AS NEEDED.
3. EXPANSION VALVES: SPORLAN "Q" SERIES STANDARD UNLESS OTHERWISE SPECIFIED.
4. DEFROST CONTROL: REMOTE CASES (N/A, DIGITAL CASE CONTROLLERS AVAILABLE), OPTIONAL CONDENSING UNIT (DIGITAL CASE CONTROLLER).
5. THERMOSTATS & LIQUID LINE SOLENOID VALVES: OPTIONAL.
6. DRAIN: 1 1/2 INCH PVC.
7. SPECIFICATIONS SUBJECT TO CHANGE WITHOUT NOTICE.

AUTHORIZATION (PRINT):	DATE:			 börgeren systems		SCALE: 1:32	DRAWN BY: D HUNT
						DATE: 10-22-13	CHECKED BY:
				4DR WINE			
		DATE	REV.	DWG.	INCH		
		REVISION			TOL:	DRAWING NUMBER P6528	