

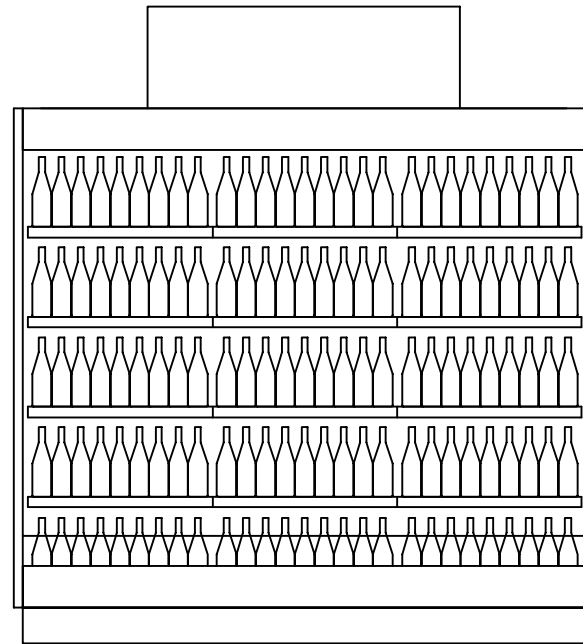
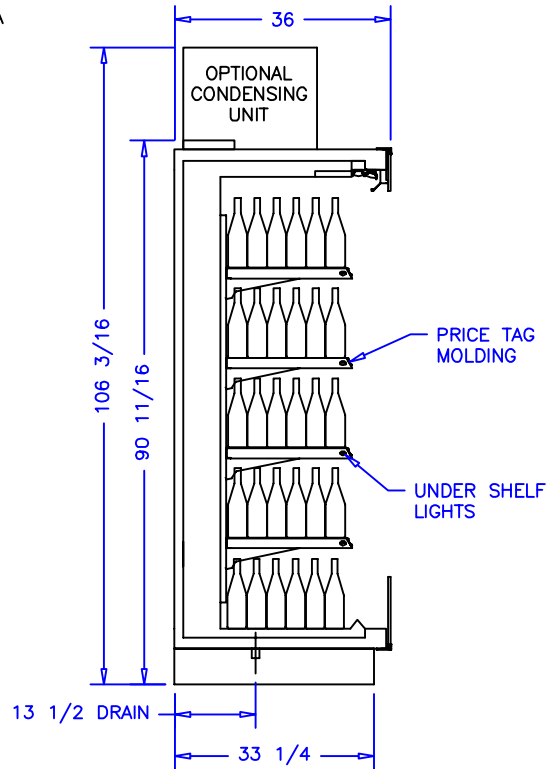
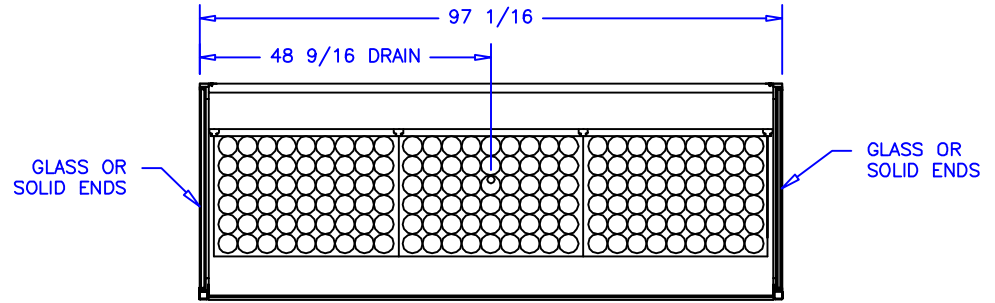
CASE SPECIFICATIONS:

REFRIGERATION

LOAD: 14,100 BTU/hr
 SUCTION TEMP: 30° F
 LIQUID LINE: 3/8IN ODS
 SUCTION LINE: 5/8IN ODS


ELECTRICAL 115VAC, 60HZ, 1PH.
 EVAP. FANS: 1.2A
 LIGHTS: 4.8A
 CONDENSATE PUMP: 1.0A
 TOTAL: 7.0A
 MCA: 15.0A

ELECTRICAL 208/230VAC, 60HZ, 1PH.
 CONDENSATE PAN: 7.2A
 1 1/2HP COND. UNIT: 12.9A
 TOTAL: 20.1A
 MCA: 24.8A



NOTES:

1. OPTIONS NOT SHOWN ON DRAWING SHOULD BE LISTED IN WRITTEN PROPOSAL AND LISTED ON PURCHASE ORDER.
2. ELEC. CONNECTION: 115V/230V, 4x4 SUPPLY BOX AS NEEDED.
3. EXPANSION VALVES: SPORLAN "Q" SERIES STANDARD UNLESS OTHERWISE SPECIFIED.
4. DEFROST CONTROL: REMOTE CASES (N/A, DIGITAL CASE CONTROLLERS AVAILABLE), OPTIONAL CONDENSING UNIT (DIGITAL CASE CONTROLLER).
5. THERMOSTATS & LIQUID LINE SOLENOID VALVES: OPTIONAL.
6. DRAIN: 1 1/2 INCH PVC.
7. SPECIFICATIONS SUBJECT TO CHANGE WITHOUT NOTICE.

AUTHORIZATION (PRINT):	DATE:			 börgeren systems		SCALE: 1:24	DRAWN BY: D HUNT
SIGNATURE:						DATE: 10-23-12	CHECKED BY:
		2-18-15 DRH		8FT HC WINE			
		DATE	REV.	DRG.	INCH	DRAWING NUMBER	
		REVISION	TOL:			P6318	