

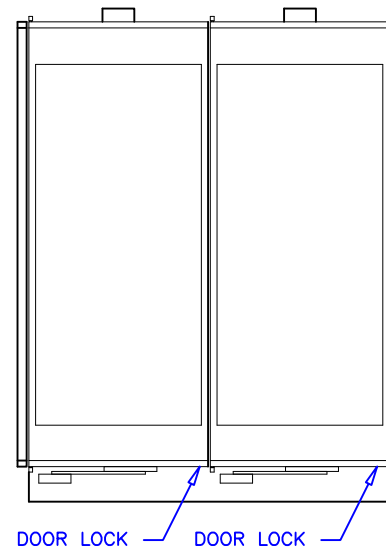
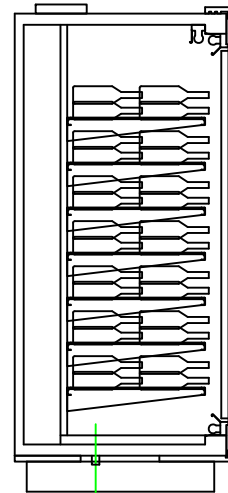
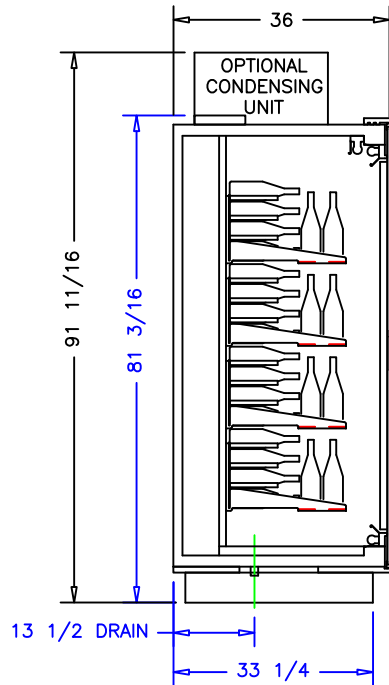
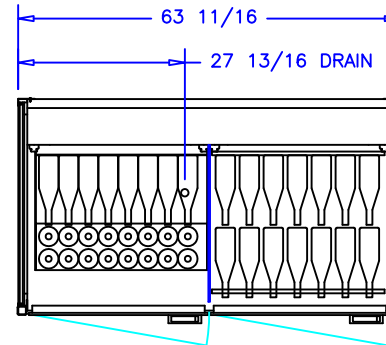
CASE SPECIFICATIONS:

REFRIGERATION:

LOAD: 3,036 BTU/hr
 COIL TEMP: 30°F
 SUCTION STUB: 5/8IN ODS
 LIQUID STUB: 3/8IN ODS

ELECTRICAL 115V, 60HZ, 1PH
 EVAP. FANS: 0.13A
 LIGHT BALLASTS: 2.40A
 TOTAL: 2.53A
 MCA: 15.0A


OPTIONAL ELECTRICAL 115V, 60HZ, 1PH
 1/2 HP COND. UNIT: 9.16A
 CONDENSATE PUMP: 1.0A
 CONDENSATE PAN: 3.0A
 TOTAL: 13.16A
 MCA: 16.3A



NOTES:

1. OPTIONS NOT SHOWN ON DRAWING SHOULD BE LISTED IN WRITTEN PROPOSAL AND LISTED ON PURCHASE ORDER.
2. ELEC. CONNECTION: 115V/230V, 4x4 SUPPLY BOX AS NEEDED.
3. EXPANSION VALVES: SPORLAN "Q" SERIES STANDARD UNLESS OTHERWISE SPECIFIED.
4. DEFROST CONTROL: REMOTE CASES (N/A, DIGITAL CASE CONTROLLERS AVAILABLE), OPTIONAL CONDENSING UNIT (DIGITAL CASE CONTROLLER).
5. THERMOSTATS & LIQUID LINE SOLENOID VALVES: OPTIONAL.
6. DRAIN: 1 1/2 INCH PVC.
7. SPECIFICATIONS SUBJECT TO CHANGE WITHOUT NOTICE.



AUTHORIZATION (PRINT):	DATE:	 börger systems		SCALE: 1:32	DRAWN BY: D HUNT
				DATE: 11-11-10	CHECKED BY:
		2 DOOR WINE 2 ZONE			
DATE	REV.	DI:	INCH	DRAWING NUMBER	
REVISION		TOL:		P5915	