

CASE SPECIFICATIONS:

REFRIGERATION

LOAD: 10,080 BTU/hr
 COIL TEMP: 25° F
 LIQUID STUB: 3/8IN ODS
 SUCTION STUB: 5/8IN ODS

ELECTRICAL 115VAC, 60HZ, 1PH.
 EVAP. FANS: .26A
 FRESH WATER EXCHANGE: 5.5A
 TOTAL: 5.76A
 MCA: 15.0A

WATER SUPPLY TO CASE:
 4-5 GPM @ 45-60 PSIG

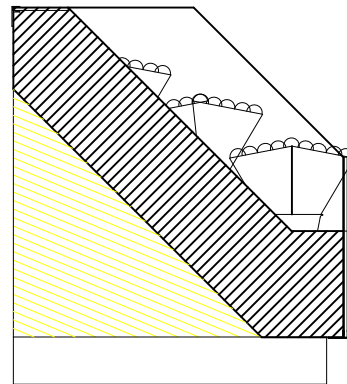
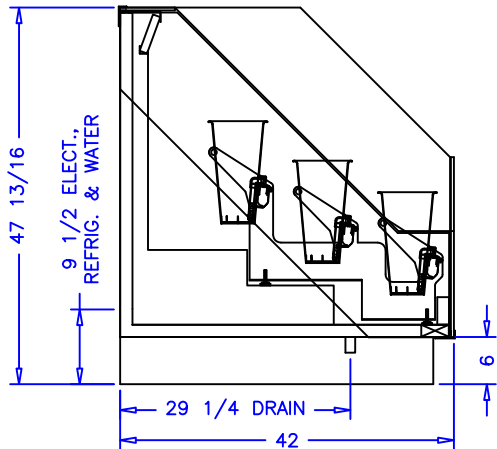
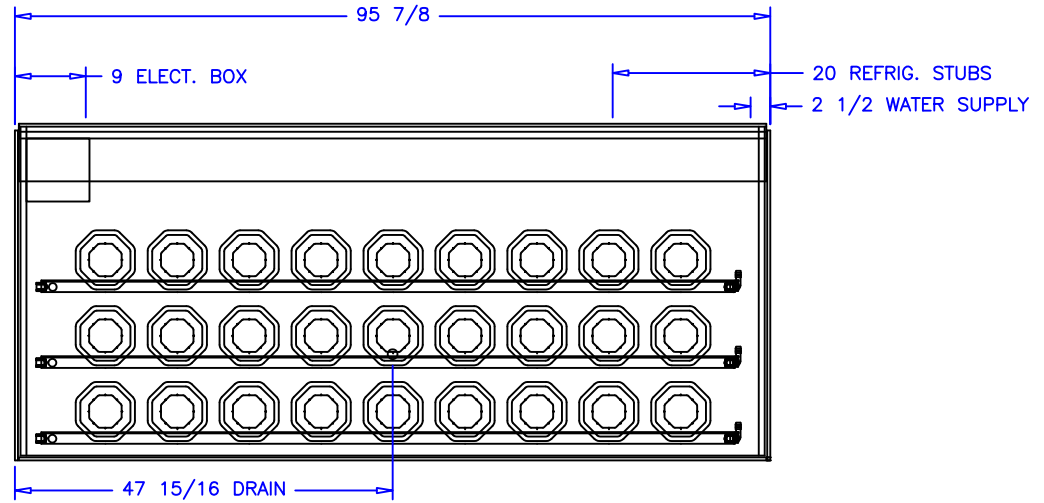
FLOOR DRAIN MUST BE PROVIDED.

AIR DISCHARGE:
 35° F @ 250 FPM

INITIAL DEFROST SETTING
 6 PER DAY @ 30 MIN. EACH

ALTERNATE REFRIGERATION

LIQUID CO2
 LOAD: 10,080 BTU/hr
 CO2 TEMP: 20°F
 GPM: .24
 PRES. DROP: 1.7
 STUB: 1/2IN ODS



FLOOR DRAIN MUST BE PROVIDED

NOTES:

1. OPTIONS NOT SHOWN ON DRAWING SHOULD BE LISTED IN WRITTEN PROPOSAL AND LISTED ON PURCHASE ORDER.
2. ELEC. CONNECTION: 115V/230V, 4x4 SUPPLY BOX AS NEEDED.
3. EXPANSION VALVES: SPORLAN "Q" SERIES STANDARD UNLESS OTHERWISE SPECIFIED.
4. DEFROST CONTROL: REMOTE CASES (N/A, DIGITAL CASE CONTROLLERS AVAILABLE), OPTIONAL CONDENSING UNIT (DIGITAL CASE CONTROLLER).
5. THERMOSTATS & LIQUID LINE SOLENOID VALVES: OPTIONAL.
6. DRAIN: 1 INCH NATIONAL PIPE STRAIGHT THREAD.
7. SPECIFICATIONS SUBJECT TO CHANGE WITHOUT NOTICE.



börger systems

SCALE: 1:16		DRAWN BY: D HUNT	
10-19-09	DRH	DATE: 11-3-04	CHECKED BY:
6-10-09	DRH	8FT LPM FWE	
12-7-05	SEH		
DATE	REV.	DIM: INCH	DRAWING NUMBER
REVISION	TOL:		P4563