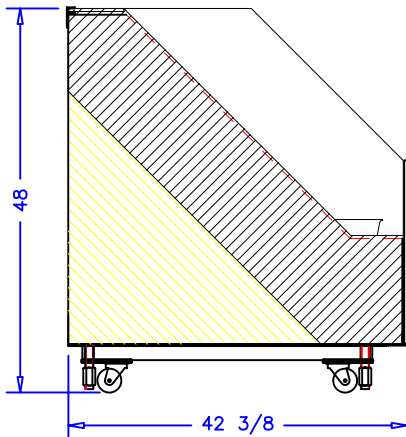


CASE SPECIFICATIONS:

REFRIGERATION
 LOAD: 12,600 BTU/hr
 SUCTION TEMP: 22° F
 LIQUID LINE: 3/8IN ODS
 SUCTION LINE: 5/8IN ODS


ELECTRICAL 115VAC, 60HZ, 1PH.
 EVAP. FANS: .52A
 TOTAL: .52A
 MCA: 15.0A



NOTES:

1. OPTIONS NOT SHOWN ON DRAWING SHOULD BE LISTED IN WRITTEN PROPOSAL AND LISTED ON PURCHASE ORDER.
2. ELEC. CONNECTION: 115V/230V, 4x4 SUPPLY BOX AS NEEDED.
3. EXPANSION VALVES: SPORLAN "Q" SERIES STANDARD UNLESS OTHERWISE SPECIFIED.
4. DEFROST CONTROL: REMOTE CASES (N/A, DIGITAL CASE CONTROLLERS AVAILABLE), OPTIONAL CONDENSING UNIT (DIGITAL CASE CONTROLLER).
5. THERMOSTATS & LIQUID LINE SOLENOID VALVES: OPTIONAL.
6. DRAIN: 1 1/2 INCH PVC.
7. SPECIFICATIONS SUBJECT TO CHANGE WITHOUT NOTICE.



AUTHORIZATION (PRINT):	DATE:			 börgeren systems		DRAWN BY: D HUNT
SIGNATURE:		SCALE: 1:24	DATE: 6-29-99			CHECKED BY:
		3-19-04 AB		10FT HP LPM		
		DATE	REV.	DR: INCH	DRAWING NUMBER	
		REVISION	TOL:		P3064A	