

CASE SPECIFICATIONS:

REFRIGERATION:

CASE LOAD: 2,250 BTU/hr
 COIL TEMP: 22° F
 LIQUID STUB: 3/8IN ODS
 SUCTION STUB: 5/8IN ODS

AIR DISCHARGE:

30° F @ 250 FPM

INITIAL DEFROST SETTING

6 PER DAY @ 30 MIN. EACH

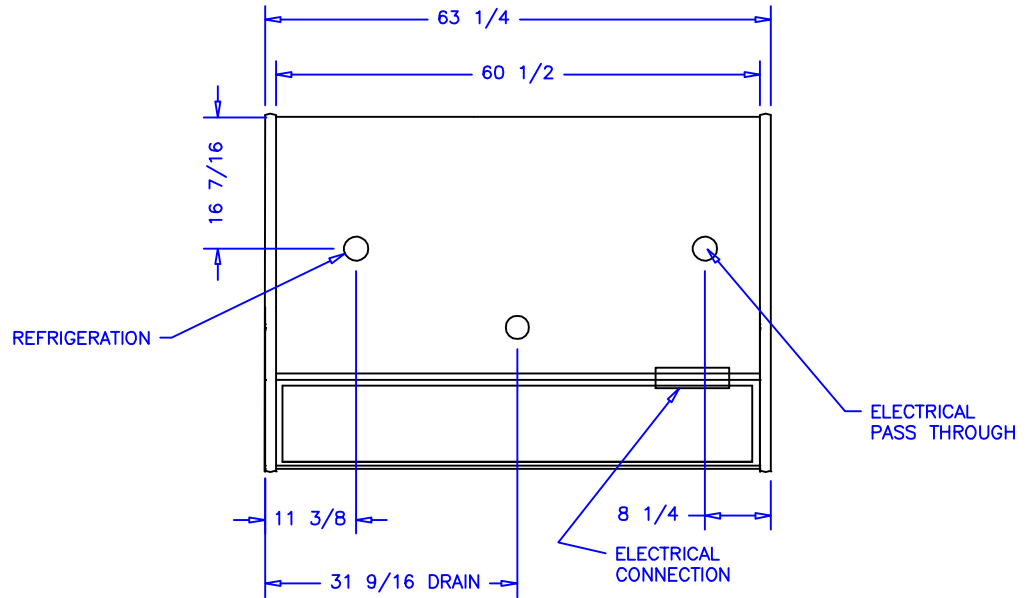
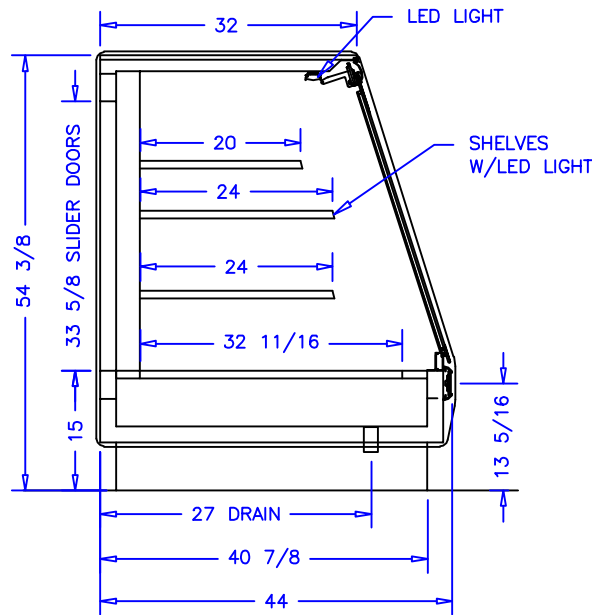
ELECTRICAL 115VAC, 60HZ, 1PH.

ECM EVAP. FANS: 0.8A

LED LIGHTS: 2.3A

TOTAL: 3.1A


MCA: 15.0A



NOTES:

1. OPTIONS NOT SHOWN ON DRAWING SHOULD BE LISTED IN WRITTEN PROPOSAL AND LISTED ON PURCHASE ORDER.
2. ELEC. CONNECTION: 115V/230V, 4x4 SUPPLY BOX AS NEEDED.
3. EXPANSION VALVES: SPORLAN "Q" SERIES STANDARD UNLESS OTHERWISE SPECIFIED.
4. DEFROST CONTROL: REMOTE CASES (N/A, DIGITAL CASE CONTROLLERS AVAILABLE), OPTIONAL CONDENSING UNIT (DIGITAL CASE CONTROLLER).
5. THERMOSTATS & LIQUID LINE SOLENOID VALVES: OPTIONAL.
6. DRAIN: 1 1/2 INCH PVC.
7. SPECIFICATIONS SUBJECT TO CHANGE WITHOUT NOTICE.



AUTHORIZATION (PRINT):		DATE:		 börgeren systems		DRAWN BY: D HUNT	
SIGNATURE:						CHECKED BY:	
		SCALE: 1:24					
		DATE: 5-12-17					
5FT DELI BAKERY FG							
DATE	REV.	DRG.	INCH	DRAWING NUMBER			
REVISION	TOL:						