

TOTAL WELL SIZE FITS  
(7) FULL SIZED PANS,  
PANS TO HAVE LIDS.

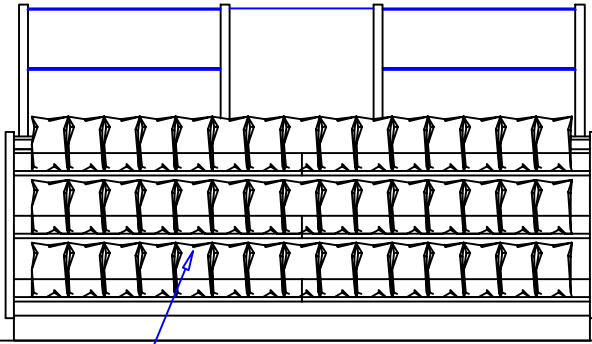
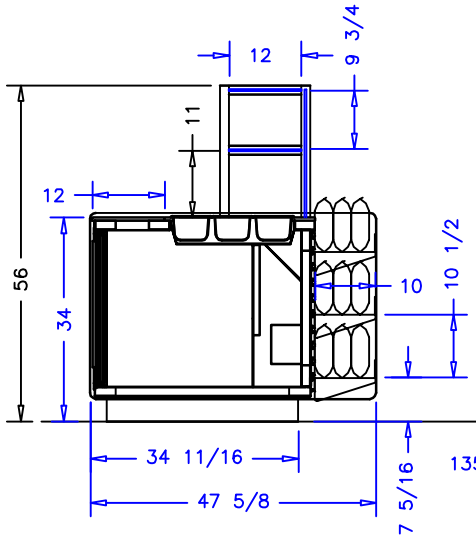
CASE SPECIFICATIONS:

REFRIGERATION:  
CASE LOAD: 2,000 BTU/hr  
COIL TEMP: 22° F  
LIQUID STUB: 3/8IN ODS  
SUCTION STUB: 5/8IN ODS

AIR DISCHARGE:  
28° F @ 220 FPM

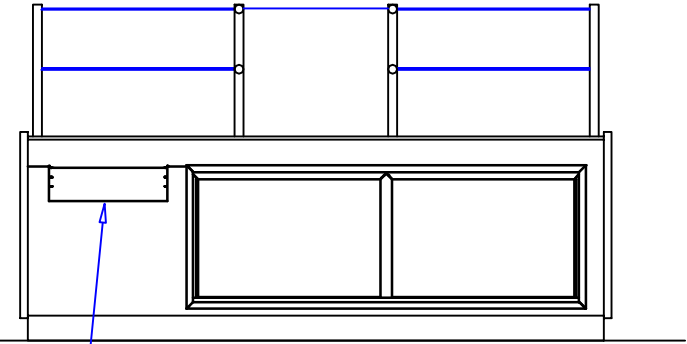
INITIAL DEFROST SETTING  
6 PER DAY @ 30 MIN. EACH

ELECTRICAL 115VAC, 60HZ, 1PH.  
ECM EVAP. FANS: .60A  
TOTAL: .60A  
MCA: 15.0A



135 CHIP BAGS

FRONT



PAPER TRAY

BACK

NOTES:

1. OPTIONS NOT SHOWN ON DRAWING SHOULD BE LISTED IN WRITTEN PROPOSAL AND LISTED ON PURCHASE ORDER.
2. ELEC. CONNECTION: 115V/230V, 4x4 SUPPLY BOX AS NEEDED.
3. EXPANSION VALVES: SPORLAN "Q" SERIES STANDARD UNLESS OTHERWISE SPECIFIED.
4. DEFROST CONTROL: REMOTE CASES (N/A, DIGITAL CASE CONTROLLERS AVAILABLE), OPTIONAL CONDENSING UNIT (DIGITAL CASE CONTROLLER).
5. THERMOSTATS & LIQUID LINE SOLENOID VALVES: OPTIONAL.
6. DRAIN: 1 1/2 INCH PVC.
7. SPECIFICATIONS SUBJECT TO CHANGE WITHOUT NOTICE.



AUTHORIZATION (PRINT):		DATE:		SCALE: 1:24		DRAWN BY: DRH	
SIGNATURE:				DATE: 4-22-14		CHECKED BY:	
5-23-14 DRH		4-23-14 DRH		8' GOURMET W/CHIP SHELVES			
DATE		REV.		DIM: INCH		DRAWING NUMBER	
REVISION		TOL:				P6645	



börger systems