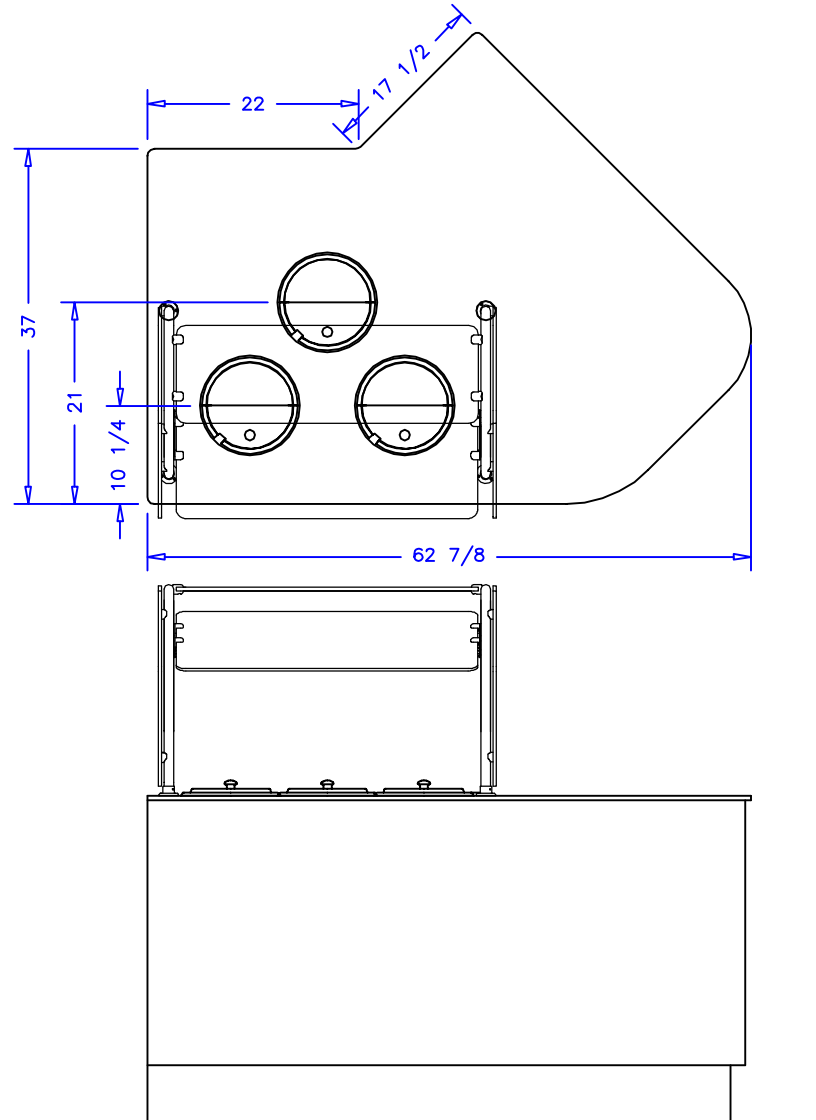
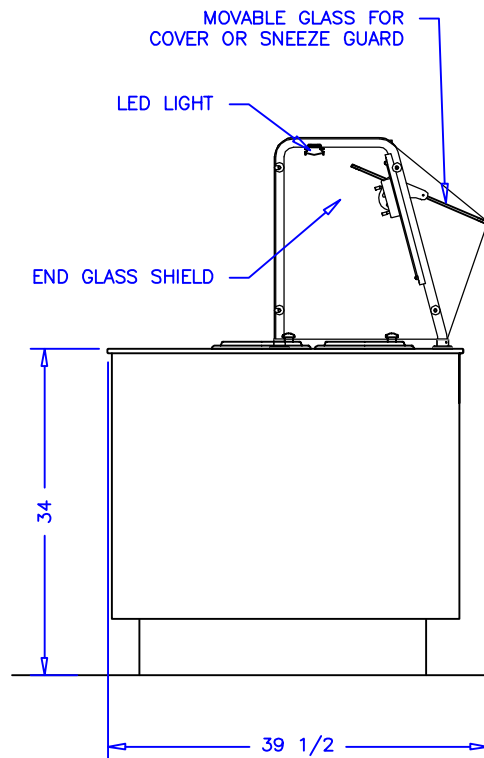



CASE SPECIFICATIONS:

ELECTRICAL 115VAC, 60HZ, 1PH.
 (3) 7 QT SOUP WELLS: 20.7A
 LED LIGHT: 1.2A
 TOTAL: 15.0A
 MCA: 20.0A



NOTES:

1. OPTIONS NOT SHOWN ON DRAWING SHOULD BE LISTED IN WRITTEN PROPOSAL AND LISTED ON PURCHASE ORDER.
2. ELEC. CONNECTION: 115V/230V, 4x4 SUPPLY BOX AS NEEDED.
3. EXPANSION VALVES: SPORLAN "Q" SERIES STANDARD UNLESS OTHERWISE SPECIFIED.
4. DEFROST CONTROL: REMOTE CASES (N/A, DIGITAL CASE CONTROLLERS AVAILABLE), OPTIONAL CONDENSING UNIT (DIGITAL CASE CONTROLLER).
5. THERMOSTATS & LIQUID LINE SOLENOID VALVES: OPTIONAL.
6. DRAIN: 1 1/2 INCH PVC.
7. SPECIFICATIONS SUBJECT TO CHANGE WITHOUT NOTICE.

AUTHORIZATION (PRINT):	DATE:	 börgeren systems		DRAWN BY: D HUNT
SIGNATURE:				SCALE: 1:24
		5-23-14	DRH	5FT SOUP BAR
DATE	REV.	DWG.	INCH	DRAWING NUMBER
REVISION	TOL:			P6644