

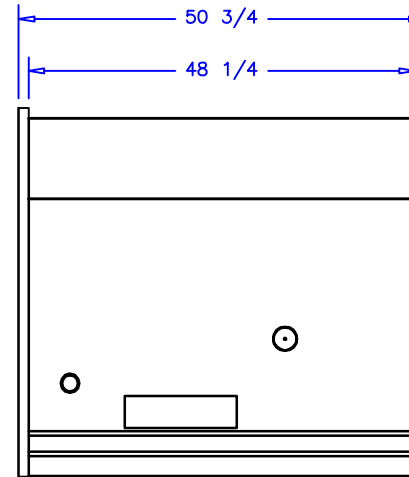
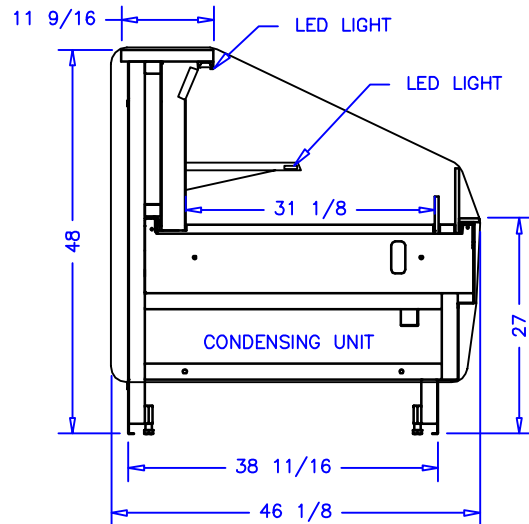
CASE SPECIFICATIONS:

REFRIGERATION:

CASE LOAD: 3,700 BTU/hr
 COIL TEMP: 22° F
 LIQUID STUB: 3/8IN ODS
 SUCTION STUB: 5/8IN ODS

ELECTRICAL 115VAC, 60HZ, 1PH.

EVAP. FANS: .30A
 LED LIGHTS: 1.2A
 EVAP. PAN: 5.0A
 1/2HP COND. UNIT: 9.2A
 TOTAL: 15.7A
 MCA: 25.0A



NOTES:

1. OPTIONS NOT SHOWN ON DRAWING SHOULD BE LISTED IN WRITTEN PROPOSAL AND LISTED ON PURCHASE ORDER.
2. ELEC. CONNECTION: 115V/230V, 4x4 SUPPLY BOX AS NEEDED.
3. EXPANSION VALVES: SPORLAN "Q" SERIES STANDARD UNLESS OTHERWISE SPECIFIED.
4. DEFROST CONTROL: REMOTE CASES (N/A, DIGITAL CASE CONTROLLERS AVAILABLE), OPTIONAL CONDENSING UNIT (DIGITAL CASE CONTROLLER).
5. THERMOSTATS & LIQUID LINE SOLENOID VALVES: OPTIONAL.
6. DRAIN: 1 1/2 INCH PVC.
7. SPECIFICATIONS SUBJECT TO CHANGE WITHOUT NOTICE.

AUTHORIZATION (PRINT):		DATE:		börger systems	
SIGNATURE:					
		SCALE: 1:24	DRAWN BY: DWT		
		DATE: 3-26-14	CHECKED BY:		
		4FT 2 DECK			
DATE	REV.	DWG:	INCH	DRAWING NUMBER	
REVISION	TOL:			P6624	