

CASE SPECIFICATIONS:

REFRIGERATION:

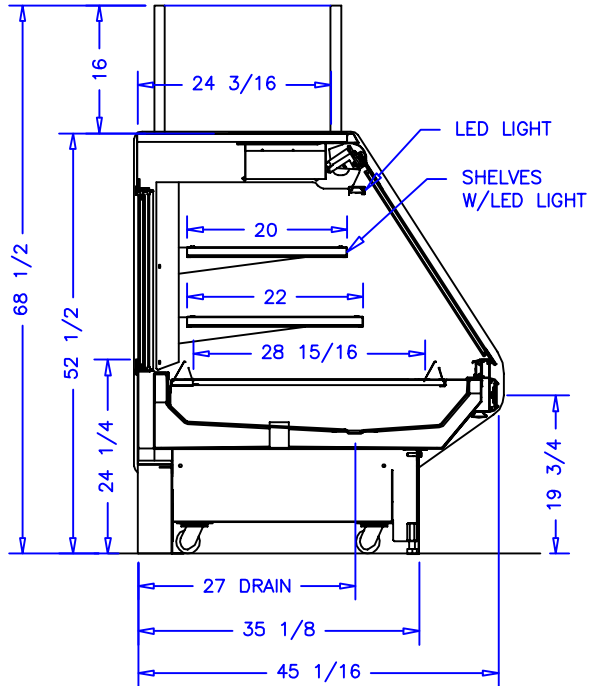
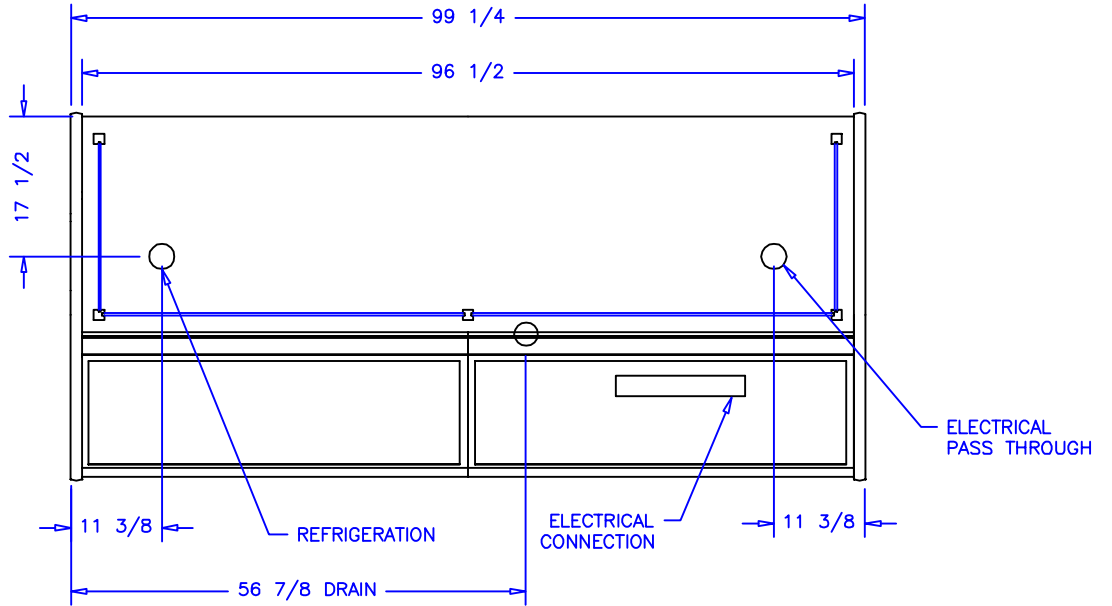
CASE LOAD: 3,600 BTU/hr
 COIL TEMP: 22° F
 LIQUID STUB: 3/8IN ODS
 SUCTION STUB: 5/8IN ODS

AIR DISCHARGE:
 30° F @ 250 FPM

INITIAL DEFROST SETTING
 6 PER DAY @ 30 MIN. EACH

ELECTRICAL 115VAC, 60HZ, 1PH.
 ECM EVAP. FANS: 0.6A
 LED LIGHTS: 2.4A
 TOTAL: 3.0A
 MCA: 15.0A

SEPERATE ISOLATED OUTLET AVAILABLE
 FOR SCALE STAND.



NOTES:

1. OPTIONS NOT SHOWN ON DRAWING SHOULD BE LISTED IN WRITTEN PROPOSAL AND LISTED ON PURCHASE ORDER.
2. ELEC. CONNECTION: 115V/230V, 4x4 SUPPLY BOX AS NEEDED.
3. EXPANSION VALVES: SPORLAN "Q" SERIES STANDARD UNLESS OTHERWISE SPECIFIED.
4. DEFROST CONTROL: REMOTE CASES (N/A, DIGITAL CASE CONTROLLERS AVAILABLE), OPTIONAL CONDENSING UNIT (DIGITAL CASE CONTROLLER).
5. THERMOSTATS & LIQUID LINE SOLENOID VALVES: OPTIONAL.
6. DRAIN: 1 1/2 INCH PVC.
7. SPECIFICATIONS SUBJECT TO CHANGE WITHOUT NOTICE.



AUTHORIZATION (PRINT):		DATE:				SCALE: 1:24		DRAWN BY: D HUNT	
SIGNATURE:						DATE: 1-21-14		CHECKED BY:	
				1-24-14 DRH		8FT DELI BAKERY FG			
DATE		REV.		DIM:		INCH		DRAWING NUMBER	
REVISION		TOL:						P6575	