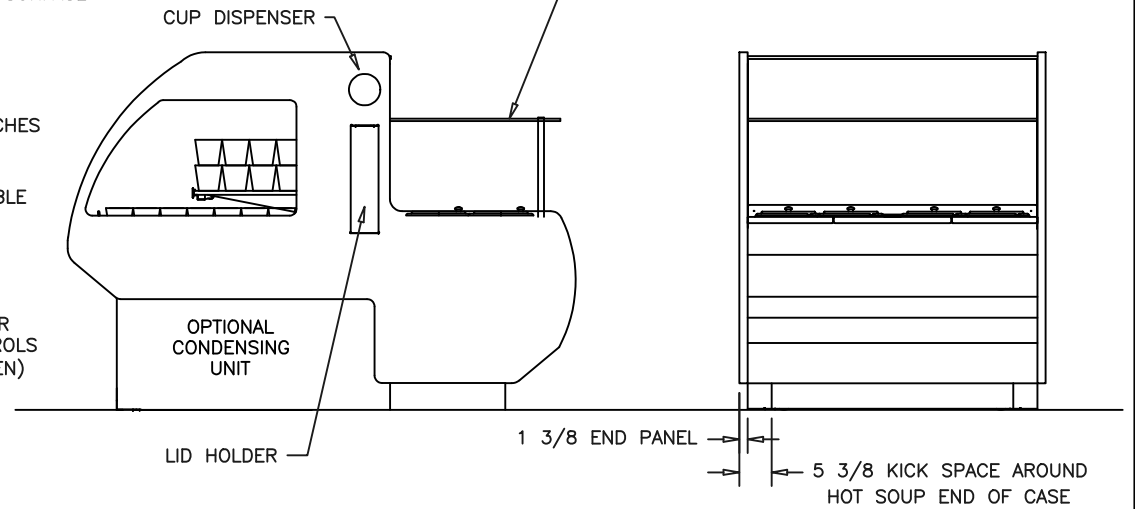
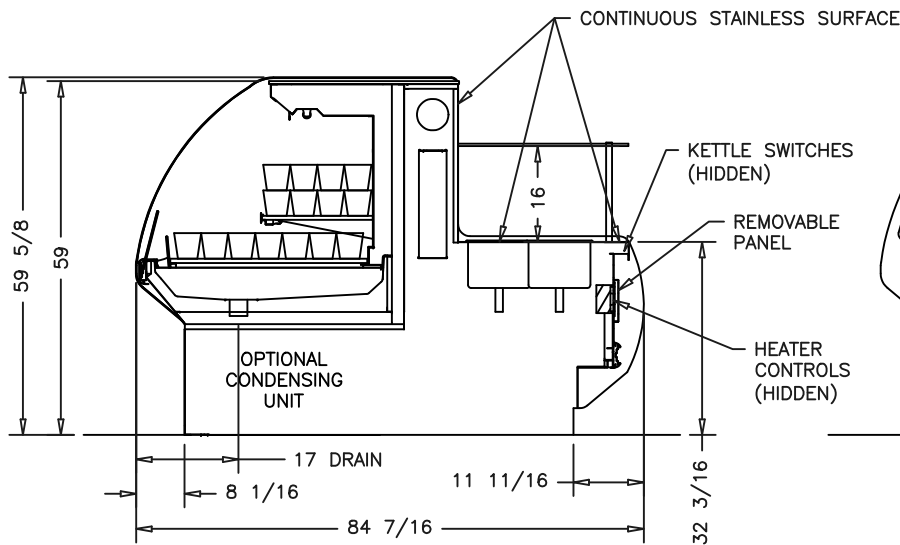


OPTIONAL SNEEZE GUARD  
FOLLOWS PERIMETER OF PANS  
AND COVERS ENTIRE PAN  
AREA. MEETS NSF AND  
UL REQUIREMENTS.



**CASE SPECIFICATIONS:**

**REFRIGERATION**

LOAD: 3,900 BTU/hr  
SUCTION TEMP: 20° F  
LIQUID LINE: 3/8IN ODS  
SUCTION LINE: 5/8IN ODS

**ELECTRICAL 115VAC, 60HZ, 1PH.**

EVAP. FANS: 1.56A  
LIGHT BALLAST: 0.59A  
COND. PUMP: 1.0A  
SOUP WELLS: 27.6A  
TOTAL: 29.75A  
MCA: 40.0A

**ELECTRICAL 208/230VAC, 60HZ, 1PH.**

EVAP. PAN: 7.2A  
3/4HP COND. UNIT: 6.1A  
TOTAL: 13.3A  
MCA: 16.0A



**NOTES:**

1. OPTIONS NOT SHOWN ON DRAWING SHOULD BE LISTED IN WRITTEN PROPOSAL AND LISTED ON PURCHASE ORDER.
2. ELEC. CONNECTION: 115V/230V, 4x4 SUPPLY BOX AS NEEDED.
3. EXPANSION VALVES: SPORLAN "Q" SERIES STANDARD UNLESS OTHERWISE SPECIFIED.
4. DEFROST CONTROL: REMOTE CASES (N/A, DIGITAL CASE CONTROLLERS AVAILABLE), OPTIONAL CONDENSING UNIT (DIGITAL CASE CONTROLLER).
5. THERMOSTATS & LIQUID LINE SOLENOID VALVES: OPTIONAL.
6. DRAIN: 1 1/2 INCH PVC.
7. SPECIFICATIONS SUBJECT TO CHANGE WITHOUT NOTICE.

AUTHORIZATION (PRINT):		DATE:			
SIGNATURE:					
		SCALE: 1:32	DRAWN BY: A. BESIC		
		DATE: 3-22-07	CHECKED BY:		
4' SOUP BG-4SHL					
DATE	REV.	DIM:	INCH	DRAWING NUMBER	
REVISION		TOL:		P5068A	