

CASE SPECIFICATIONS:

REFRIGERATION

LOAD: 7,010 BTU/hr  
 COIL TEMP: 22° F  
 LIQUID LINE: 3/8IN ODS  
 SUCTION LINE: 1/2IN ODS

ELECTRICAL 115V, 60HZ, 1PH.

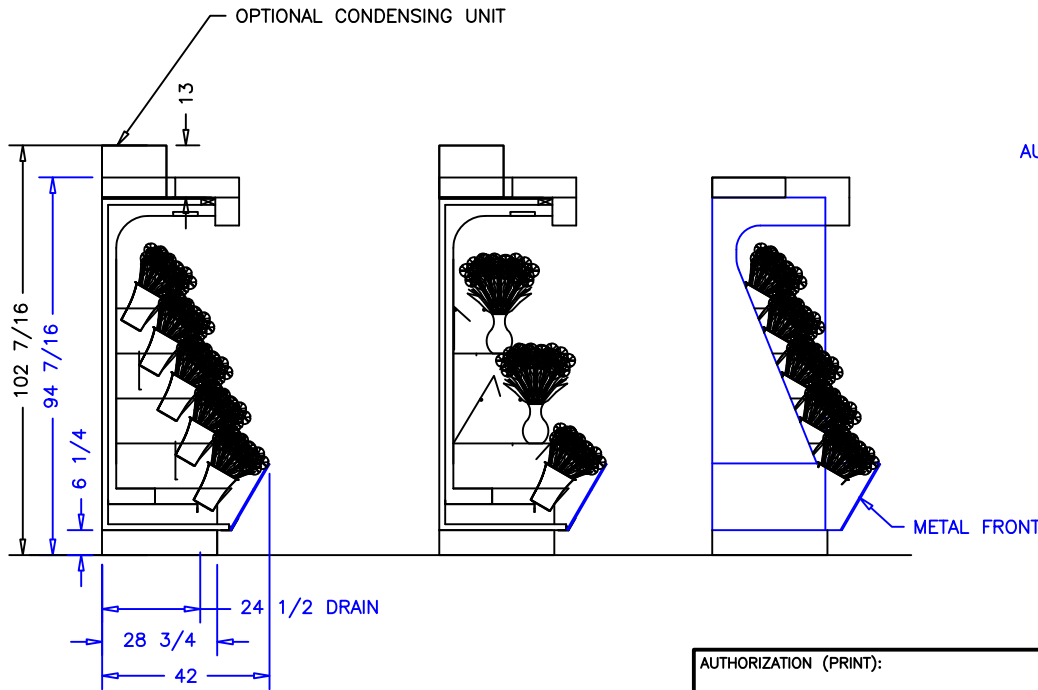
LIGHTS: 2.23A  
 TOTAL: 2.23A  
 MCA: 15.0A

ELECTRICAL 115V, 60HZ, 1PH.

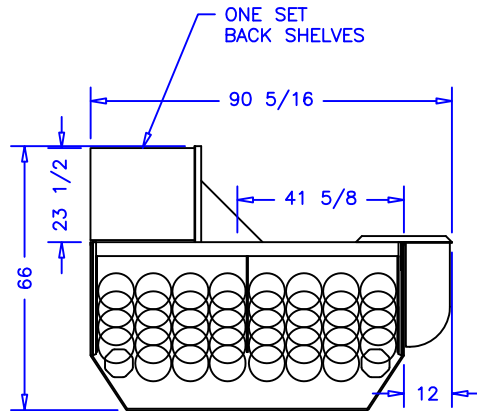
EVAP. FANS: 0.26A  
 COND. PUMP: 1.00A  
 TOTAL: 1.26A  
 MCA: 15.0A

ELECTRICAL 230V, 60HZ, 1PH.

1HP COND. UNIT: 7.70A  
 CONDENSATE PAN: 14.40A  
 TOTAL: 22.10A  
 MCA: 25.20A

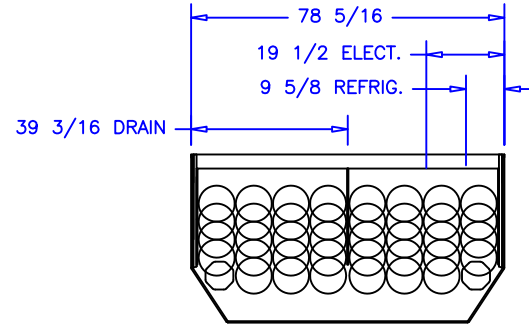


OPTION D

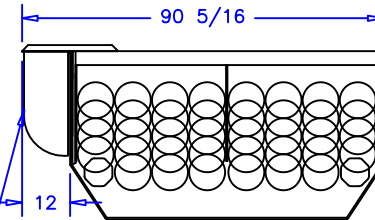


ONE SET BACK SHELVES

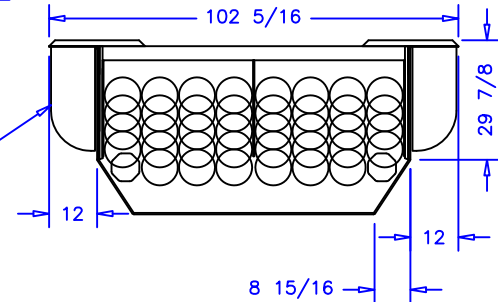
ONE SET AUXILIARY SHELVES



OPTION A




OPTION B



OPTION C

NOTES:

1. OPTIONS NOT SHOWN ON DRAWING SHOULD BE LISTED IN WRITTEN PROPOSAL AND LISTED ON PURCHASE ORDER.
2. ELEC. CONNECTION: 115V/230V, 4x4 SUPPLY BOX AS NEEDED.
3. EXPANSION VALVES: SPORLAN "Q" SERIES STANDARD UNLESS OTHERWISE SPECIFIED.
4. DEFROST CONTROL: REMOTE CASES (N/A, DIGITAL CASE CONTROLLERS AVAILABLE), OPTIONAL CONDENSING UNIT (DIGITAL CASE CONTROLLER).
5. THERMOSTATS & LIQUID LINE SOLENOID VALVES: OPTIONAL.
6. DRAIN: 1 1/2 INCH PVC.
7. SPECIFICATIONS SUBJECT TO CHANGE WITHOUT NOTICE.

AUTHORIZATION (PRINT):		DATE:		 <b>börger systems</b>		DRAWN BY: A. BESIC	
SIGNATURE:						CHECKED BY:	
		8-17-08	DRH	SCALE: 1:48			
		7-10-07	DRH	DATE: 12-11-06			
		3-30-07	DRH	6.5FT FLOWER BASKET W/SHLV			
		2-22-07	DRH				
		2-12-07	DRH				
		DATE	REV.	DIM:	INCH		
		REVISION	TOL:				
						DRAWING NUMBER P4971	