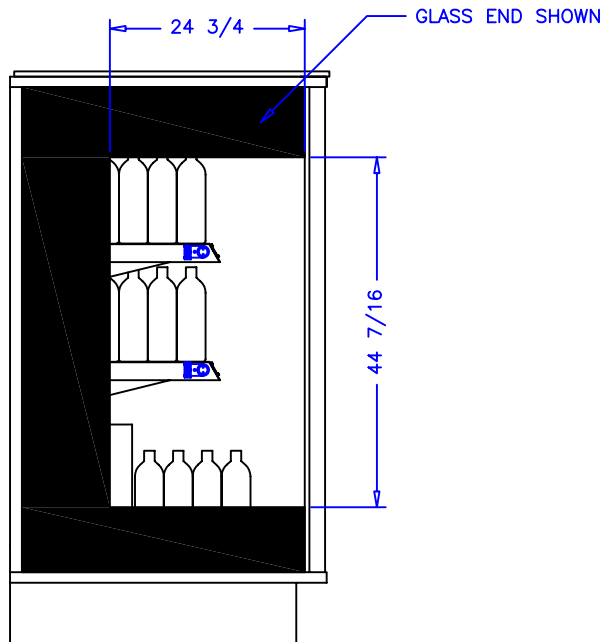
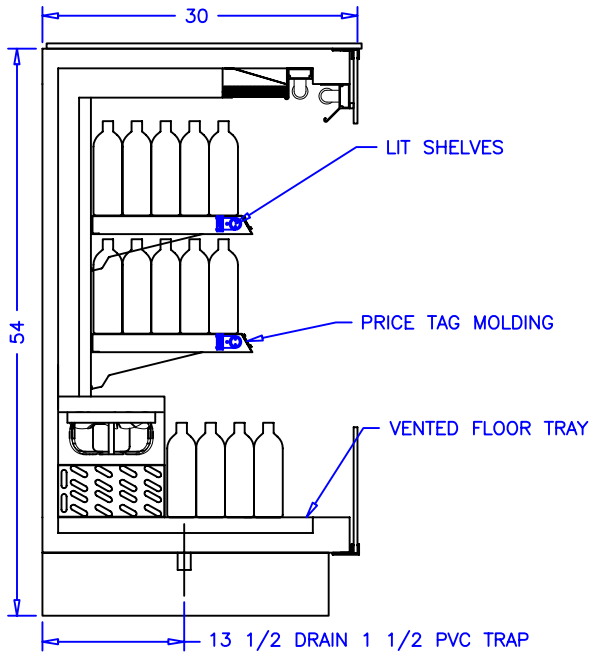
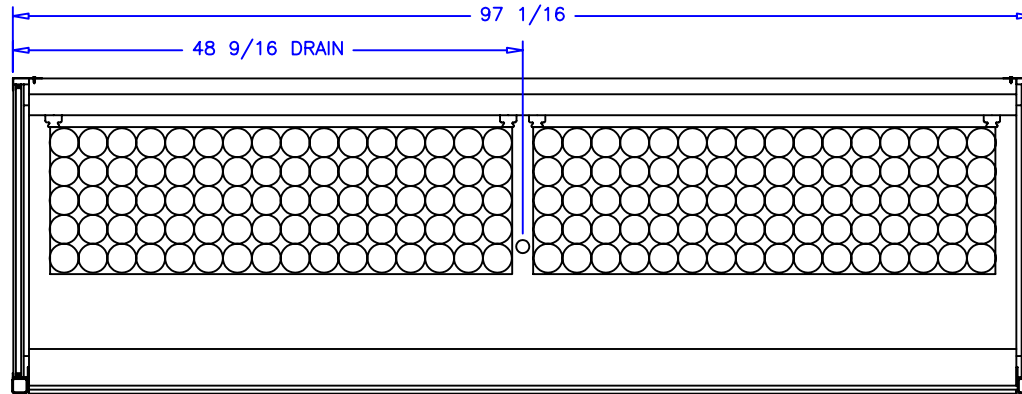


CASE SPECIFICATIONS:


REFRIGERATION
 LOAD: 6,400 BTU/hr
 SUCTION TEMP: 30° F
 LIQUID LINE: 3/8IN ODS
 SUCTION LINE: 5/8IN ODS

ELECTRICAL 115VAC, 60HZ, 1PH.
 EVAP. FANS: .26A
 LIGHT BALLAST: 2.96A
 TOTAL: 3.22A
 MCA: 15.0A



NOTES:

1. OPTIONS NOT SHOWN ON DRAWING SHOULD BE LISTED IN WRITTEN PROPOSAL AND LISTED ON PURCHASE ORDER.
2. ELEC. CONNECTION: 115V/230V, 4x4 SUPPLY BOX AS NEEDED.
3. EXPANSION VALVES: SPORLAN "Q" SERIES STANDARD UNLESS OTHERWISE SPECIFIED.
4. DEFROST CONTROL: REMOTE CASES (N/A, DIGITAL CASE CONTROLLERS AVAILABLE), OPTIONAL CONDENSING UNIT (DIGITAL CASE CONTROLLER).
5. THERMOSTATS & LIQUID LINE SOLENOID VALVES: OPTIONAL.
6. DRAIN: 1 INCH NATIONAL PIPE STRAIGHT THREAD.
7. SPECIFICATIONS SUBJECT TO CHANGE WITHOUT NOTICE.

		 börger systems	
		SCALE: 1:16	DRAWN BY: D HUNT
		DATE: 9-16-04	CHECKED BY:
		8FT OPEN BEVERAGE BG8BVL	
DATE	REV.	DIM: INCH	DRAWING NUMBER
REVISION	TOL:		P4526B