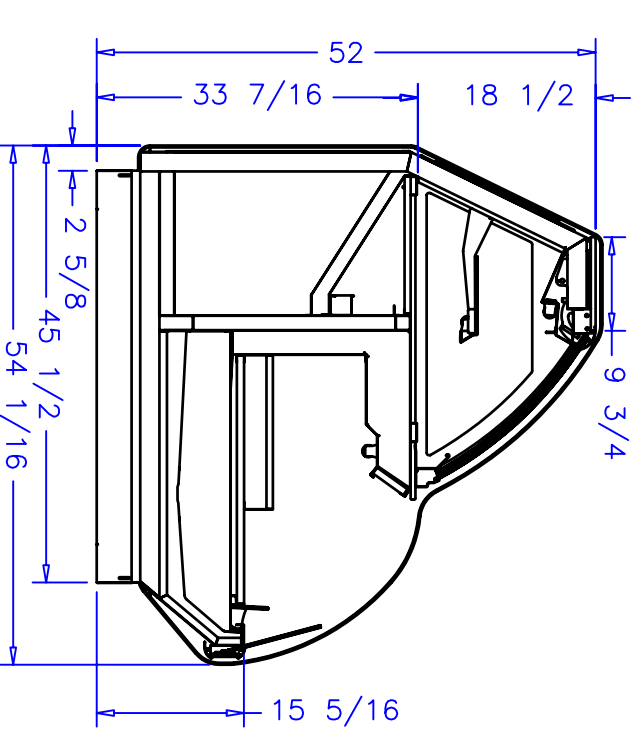


DL1100 12' REMOTE CAFE  
SPECIFICATIONS:

REFRIGERATION  
LOAD: XXXX BTU/hr  
SUCTION TEMP: 20° F  
LIQUID LINE: 3/8IN ODS  
SUCTION LINE: 5/8IN ODS  
ELECTRICAL 115VAC, 60HZ, 1PH.  
EVAP. FANS: XXXA  
LIGHT BALLAST: XXXA  
TOTAL: XXXA



<p style="text-align: center;">börger systems</p>		SCALE:	1:20	DRAWN BY:	DWT
		DATE:	10-21-03	CHECKED BY:	
<p style="text-align: center;">12' REMOTE CAFE</p>		DWG:	INCH	DRAWING NUMBER	
		REV:		P4274A	
		REVISION	TOL:	±1/32	