

CASE SPECIFICATIONS:

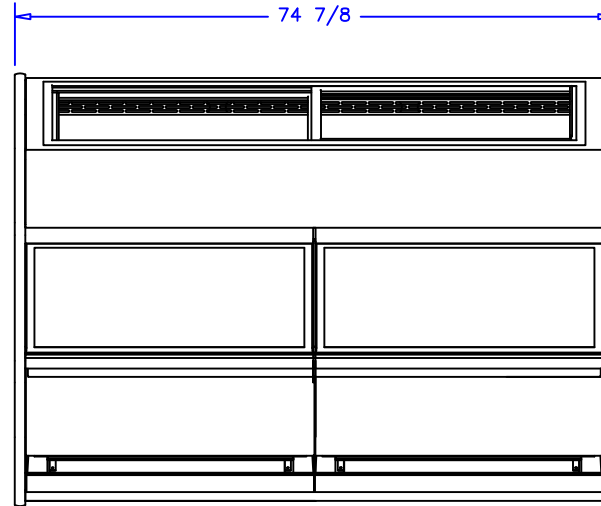
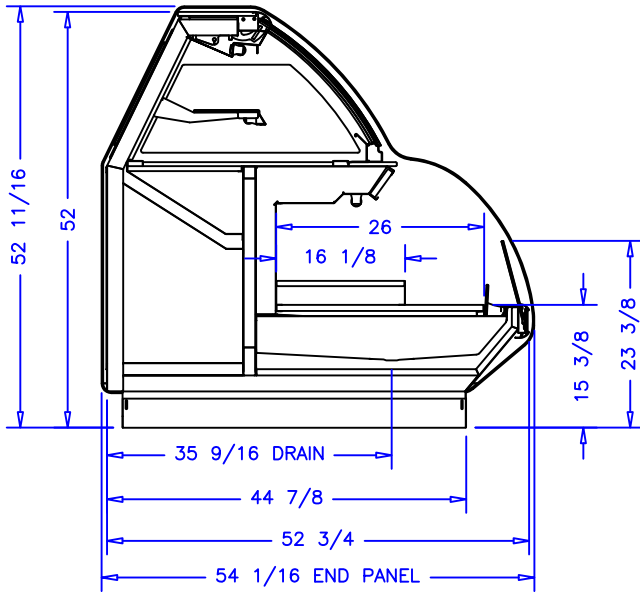
REFRIGERATION

LOAD: 6,000 BTU/hr
 COIL TEMP: 22° F
 LIQUID LINE: 3/8IN ODS
 SUCTION LINE: 5/8IN ODS

AIR DISCHARGE:
 28° F @ 280 FPM

INITIAL DEFROST SETTING
 6 PER DAY @ 40 MIN. EACH


ELECTRICAL 115VAC, 60HZ, 1PH.
 EVAP. FANS: .72A
 LIGHT BALLAST: 1.48A
 TOTAL: 2.2A
 MCA: 15.0A



NOTES:

1. OPTIONS NOT SHOWN ON DRAWING SHOULD BE LISTED IN WRITTEN PROPOSAL AND LISTED ON PURCHASE ORDER.
2. ELEC. CONNECTION: 115V/230V, 4x4 SUPPLY BOX AS NEEDED.
3. EXPANSION VALVES: SPORLAN "Q" SERIES STANDARD UNLESS OTHERWISE SPECIFIED.
4. DEFROST CONTROL: REMOTE CASES (N/A, DIGITAL CASE CONTROLLERS AVAILABLE), OPTIONAL CONDENSING UNIT (DIGITAL CASE CONTROLLER).
5. THERMOSTATS & LIQUID LINE SOLENOID VALVES: OPTIONAL.
6. DRAIN: 1 1/2 INCH PVC.
7. SPECIFICATIONS SUBJECT TO CHANGE WITHOUT NOTICE.



AUTHORIZATION (PRINT):		DATE:		 börgeren systems		SCALE: 1:24		DRAWN BY: D HUNT	
SIGNATURE:						DATE: 7-19-06		CHECKED BY:	
				3-2-10 DRH		6FT CAFE			
DATE		REV.		DIM: INCH		DRAWING NUMBER		P4271	
REVISION		TOL:							