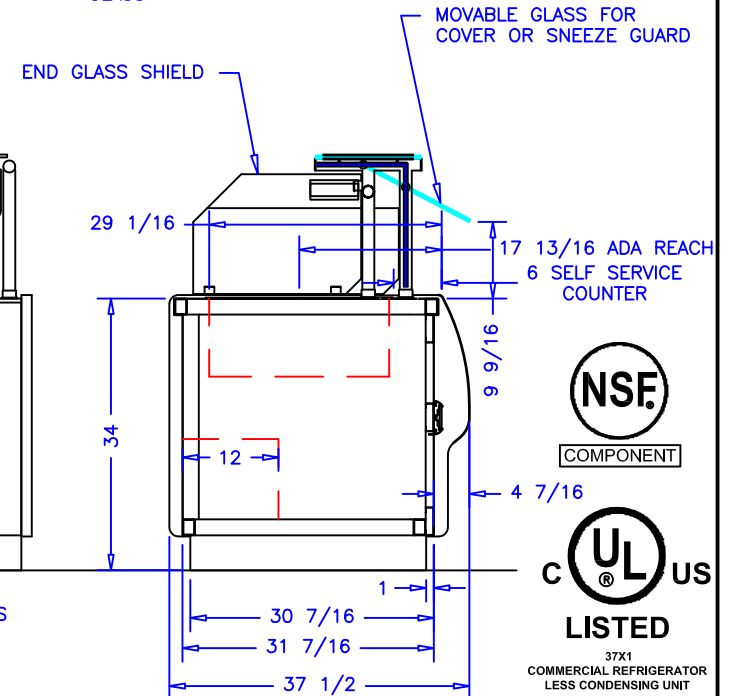
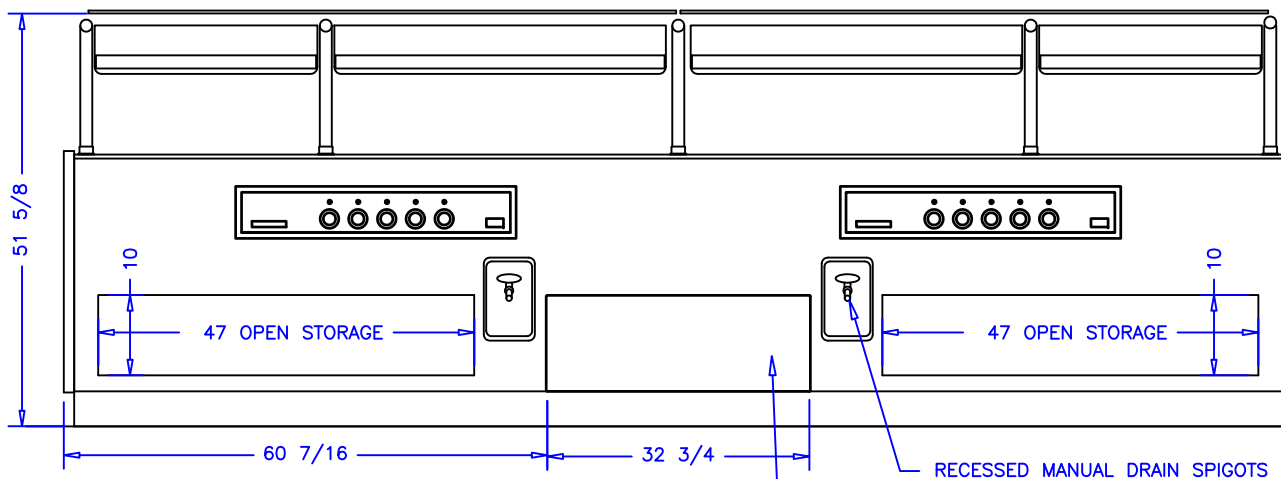


CASE SPECIFICATIONS:

SNEEZE GUARD
ELECTRICAL 115VAC, 60HZ, 1PH.
LIGHTS: 6.0A
IR HEAT LAMP: 24.0A
TOTAL: 30.0A

PAN HEATERS (SINGLE PHASE OPTION)
ELECTRICAL 208VAC, 60HZ, 1PH.
TOTAL: 60.0A

PAN HEATERS (THREE PHASE OPTION)
ELECTRICAL 208VAC, 60HZ, 3PH.
L1: 40.0A
L2: 30.0A
L3: 30.0A




COMPONENT



37X1
COMMERCIAL REFRIGERATOR
LESS CONDENSING UNIT

NOTES:

1. OPTIONS NOT SHOWN ON DRAWING SHOULD BE LISTED IN WRITTEN PROPOSAL AND LISTED ON PURCHASE ORDER.
2. ELEC. CONNECTION: 115V/230V, 4x4 SUPPLY BOX AS NEEDED.
3. EXPANSION VALVES: SPORLAN "Q" SERIES STANDARD UNLESS OTHERWISE SPECIFIED.
4. DEFROST CONTROL: REMOTE CASES (N/A, DIGITAL CASE CONTROLLERS AVAILABLE), OPTIONAL CONDENSING UNIT (DIGITAL CASE CONTROLLER).
5. THERMOSTATS & LIQUID LINE SOLENOID VALVES: OPTIONAL.
6. DRAIN: 1 1/2 INCH PVC.
7. SPECIFICATIONS SUBJECT TO CHANGE WITHOUT NOTICE.

AUTHORIZATION (PRINT):		DATE:		 börger systems		SCALE: 1:24		DRAWN BY: D HUNT	
SIGNATURE:						BG12HB		CHECKED BY:	
				8-10-09 DRH		12FT HOT BAR SERV.-SELF SERV.			
				8-7-09 DRH					
				DATE REV. DIM. INCH					
				REVISION TOL:		DRAWING NUMBER P5685			