

CASE SPECIFICATIONS:

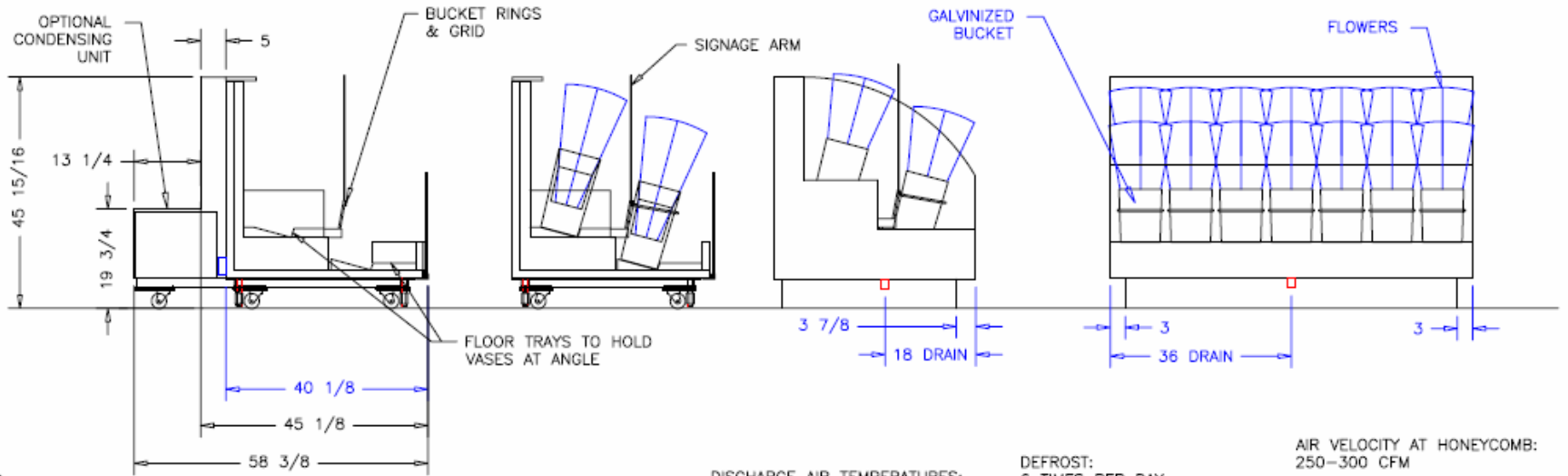
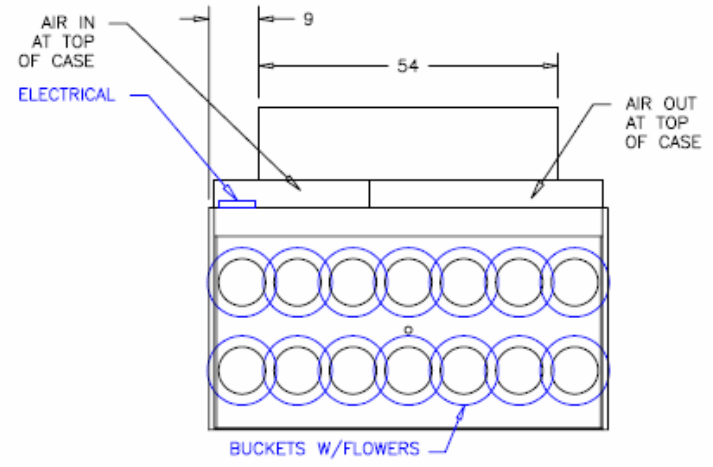
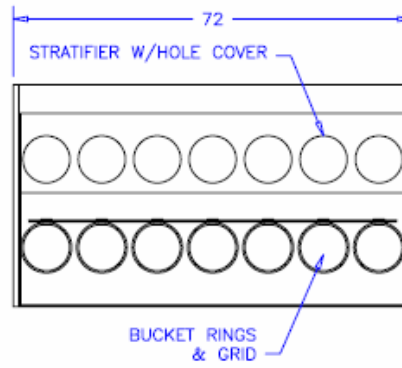
REFRIGERATION
 LOAD: 5,700 BTU/hr
 SUCTION TEMP: 26-28° F
 LIQUID LINE: 3/8IN ODS
 SUCTION LINE: 1/2IN ODS

ELECTRICAL 115V, 60HZ, 1PH.
 EVAP. FANS: 0.26A
 TOTAL: 0.26A
 MCA: 15.0A

OPTIONAL OCU SPECIFICATIONS:

ADD TO ABOVE 115V, 60HZ, 1PH.
 CONDENSATE PUMP: 1.0A

ELECTRICAL 208/230V, 60HZ, 1PH.
 EVAP. PAN: 7.2A
 1 HP COND. UNIT: 7.7A
 TOTAL: 14.9A
 MCA: 18.0A




NOTES:

1. OPTIONS NOT SHOWN ON DRAWING SHOULD BE LISTED IN WRITTEN PROPOSAL AND LISTED ON PURCHASE ORDER.
2. ELEC. CONNECTION: 115V/230V, 4x4 SUPPLY BOX AS NEEDED.
3. EXPANSION VALVES: SPORLAN "Q" SERIES STANDARD UNLESS OTHERWISE SPECIFIED.
4. DEFROST CONTROL: REMOTE CASES (N/A, DIGITAL CASE CONTROLLERS AVAILABLE), OPTIONAL CONDENSING UNIT (DIGITAL CASE CONTROLLER).
5. THERMOSTATS & LIQUID LINE SOLENOID VALVES: OPTIONAL.
6. DRAIN: 1 1/2 INCH PVC.
7. SPECIFICATIONS SUBJECT TO CHANGE WITHOUT NOTICE.

DISCHARGE AIR TEMPERATURES:
 CUT-IN 38°F
 CUT-OUT 35°F

DEFROST:
 6 TIMES PER DAY
 DURATION 20 MINUTES OR
 TERMINATE AT CUT-IN TEMP

AIR VELOCITY AT HONEYCOMB:
 250-300 CFM
 TD DISCHARGE TO PRODUCT:
 3-5°F

AUTHORIZATION (PRINT):		DATE:		 börger systems	
SIGNATURE:					
				DATE: 7-29-08	CHECKED BY:
				6FT LOW PROFILE	
DATE	REV	DM	INCH	P5461	
REVISION	TOL:				