

CASE SPECIFICATIONS:

REFRIGERATION

LOAD: 7,010 BTU/hr
 SUCTION TEMP: 26-28° F
 LIQUID LINE: 3/8IN ODS
 SUCTION LINE: 1/2IN ODS

ELECTRICAL 115V, 60HZ, 1PH.

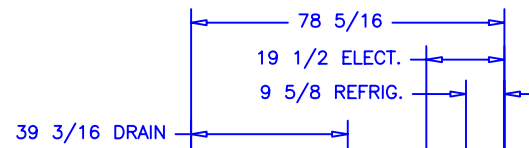
LIGHTS: 2.23A
 TOTAL: 2.23A
 MCA: 15.0A

ELECTRICAL 115V, 60HZ, 1PH.

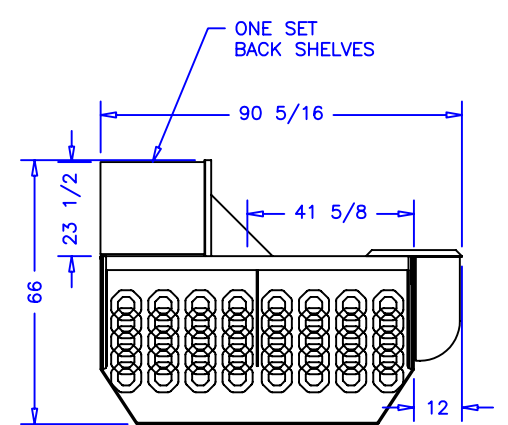
EVAP. FANS: 0.26A
 COND. PUMP: 1.00A
 TOTAL: 1.26A
 MCA: 15.0A

ELECTRICAL 230V, 60HZ, 1PH.

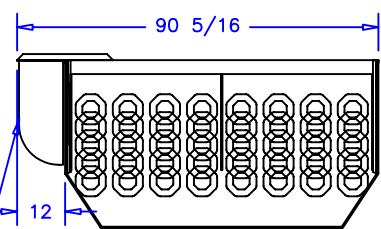
1HP COND. UNIT: 7.70A
 CONDENSATE PAN: 14.40A
 TOTAL: 22.10A
 MCA: 25.20A



OPTION A

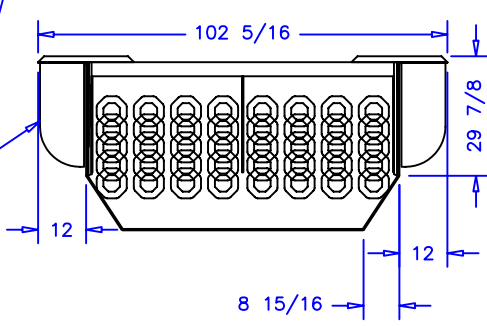


OPTION D

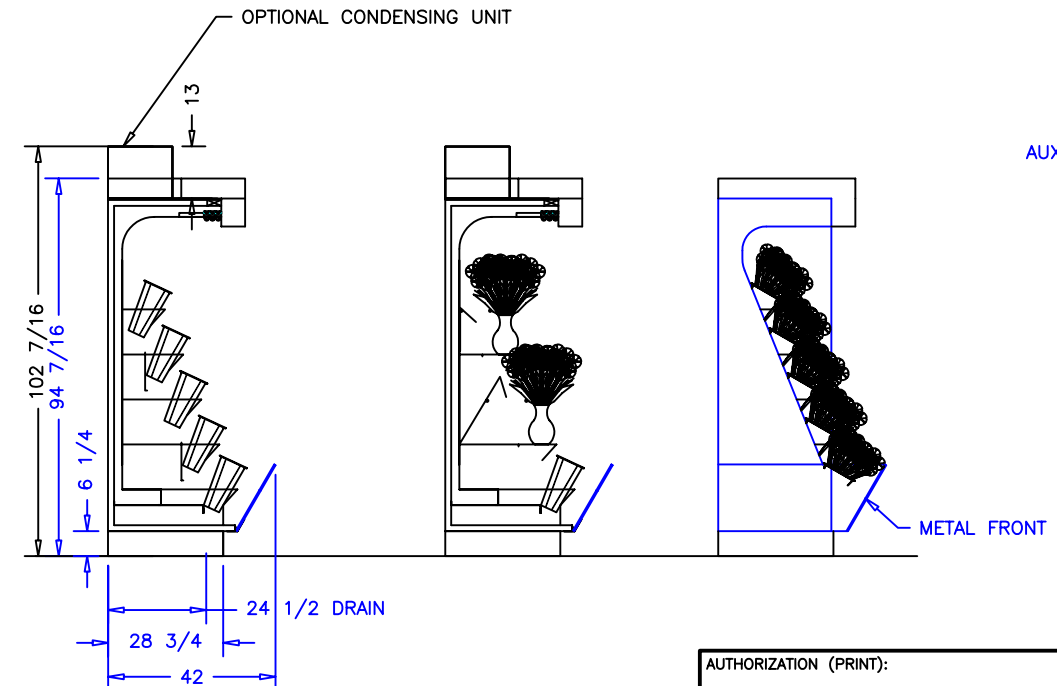


OPTION B

ONE SET BACK SHELVES
 ONE SET AUXILIARY SHELVES
 TWO SETS AUXILIARY SHELVES




OPTION C



NOTES:

1. OPTIONS NOT SHOWN ON DRAWING SHOULD BE LISTED IN WRITTEN PROPOSAL AND LISTED ON PURCHASE ORDER.
2. ELEC. CONNECTION: 115V/230V, 4x4 SUPPLY BOX AS NEEDED.
3. EXPANSION VALVES: SPORLAN "Q" SERIES STANDARD UNLESS OTHERWISE SPECIFIED.
4. DEFROST CONTROL: REMOTE CASES (N/A, DIGITAL CASE CONTROLLERS AVAILABLE), OPTIONAL CONDENSING UNIT (DIGITAL CASE CONTROLLER).
5. THERMOSTATS & LIQUID LINE SOLENOID VALVES: OPTIONAL.
6. DRAIN: 1 1/2 INCH PVC.
7. SPECIFICATIONS SUBJECT TO CHANGE WITHOUT NOTICE.

AUTHORIZATION (PRINT):	DATE:	 börger systems		DRAWN BY: A. BESIC
SIGNATURE:				8-17-08 DRH
		7-10-07 DRH	DATE: 12-11-06	
		3-30-07 DRH		
		2-22-07 DRH		
		2-12-07 DRH		
		6.5FT FLOWER BASKET W/SHLV		
		DATE	REV.	DIM: INCH
		REVISION	TOL:	DRAWING NUMBER
				P4971