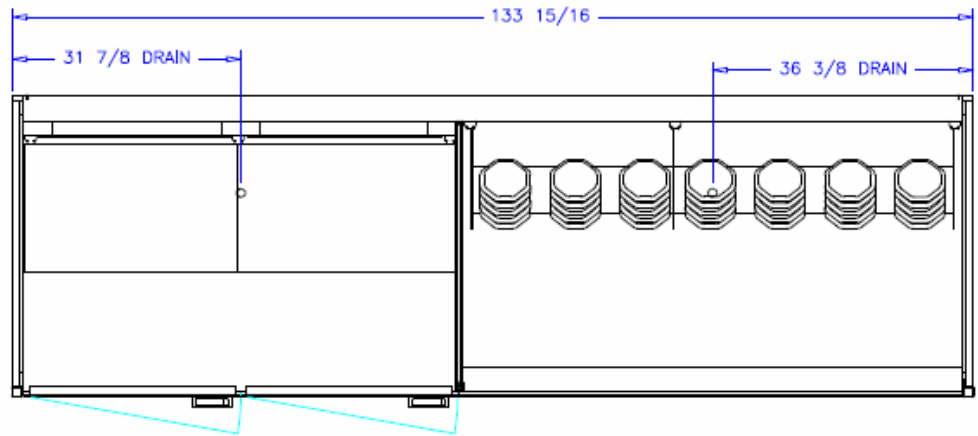
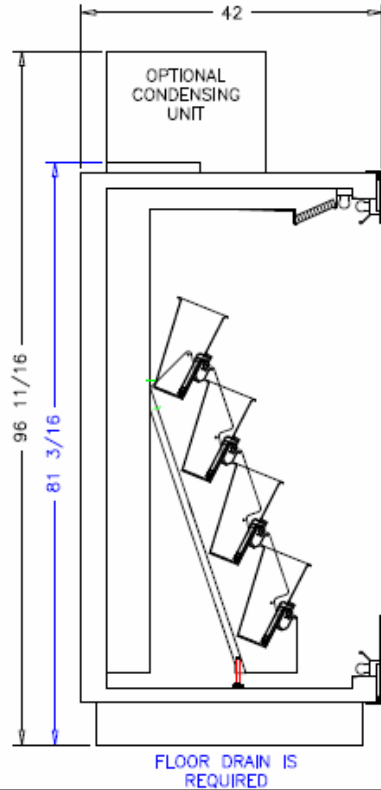
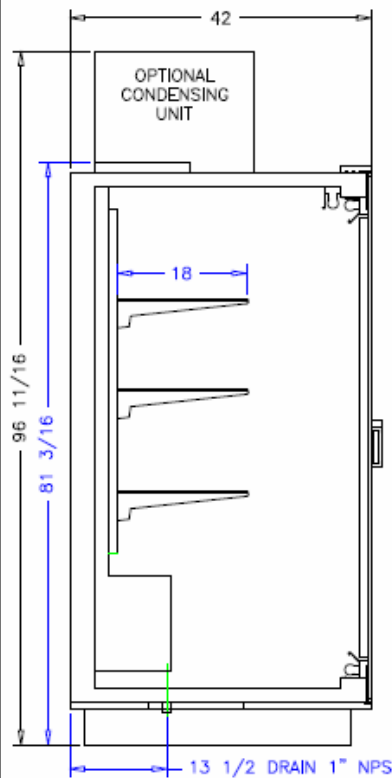


**DOORED CASE SPECIFICATIONS:**

REFRIGERATION  
 LOAD: 2,875 BTU/hr  
 COIL TEMP: 25° F  
 LIQUID STUB: 3/8IN ODS  
 SUCTION STUB: 5/8IN ODS

ELECTRICAL 115VAC, 60HZ, 1PH.  
 EVAP. FANS: .13A  
 LIGHT BALLAST: .74A  
 TOTAL: .87A  
 MCA: 15.0A



**OPEN CASE SPECIFICATIONS:**


REFRIGERATION  
 LOAD: 8,200 BTU/hr  
 COIL TEMP: 25° F  
 LIQUID STUB: 3/8IN ODS  
 SUCTION STUB: 5/8IN ODS

ELECTRICAL 115VAC, 60HZ, 1PH.  
 EVAP. FANS: .39A  
 LIGHT BALLAST: 1.48A  
 FRESH WATER SYSTEM: 5.5A  
 TOTAL: 7.37A  
 MCA: 15.0A

ELECTRICAL 230VAC, 60HZ, 1PH.  
 1 1/2HP COND. UNIT: 10.9A  
 TOTAL: 10.9A  
 MCA: 16.5A

**NOTES:**

1. OPTIONS NOT SHOWN ON DRAWING SHOULD BE STATED IN WRITTEN PROPOSAL AND LISTED ON PURCHASE ORDER.
2. ELEC. CONNECTION: 115V/230V, 4X4 SUPPLY BOX AS NEEDED.
3. EXPANSION VALVES: SPORLAN "Q" SERIES STANDARD UNLESS OTHERWISE SPECIFIED.
4. DEFROST CONTROL: REMOTE CASES (N/A, DIGITAL CASE CONTROLLERS AVAILABLE), OPTIONAL CONDENSING UNIT (DIGITAL CASE CONTROLLER).
5. THERMOSTATS & LIQUID LINE SOLENOID VALVES: OPTIONAL.
6. DRAIN: 1 INCH NATIONAL PIPE STRAIGHT THREAD.
7. SPECIFICATIONS SUBJECT TO CHANGE WITHOUT NOTICE.

 <b>börger systems</b>		SCALE: 1:16	DRAWN BY: D. HUNT
		DATE: 8-12-03	CHECKED BY: NAME
<b>8-13-03 DRH</b>		<b>2DR 6FT DF FWE COMBO</b>	
DATE	REV	DR	INCH
REVISION	TOL:	±1/32	
			DRAWING NUMBER <b>P4701</b>