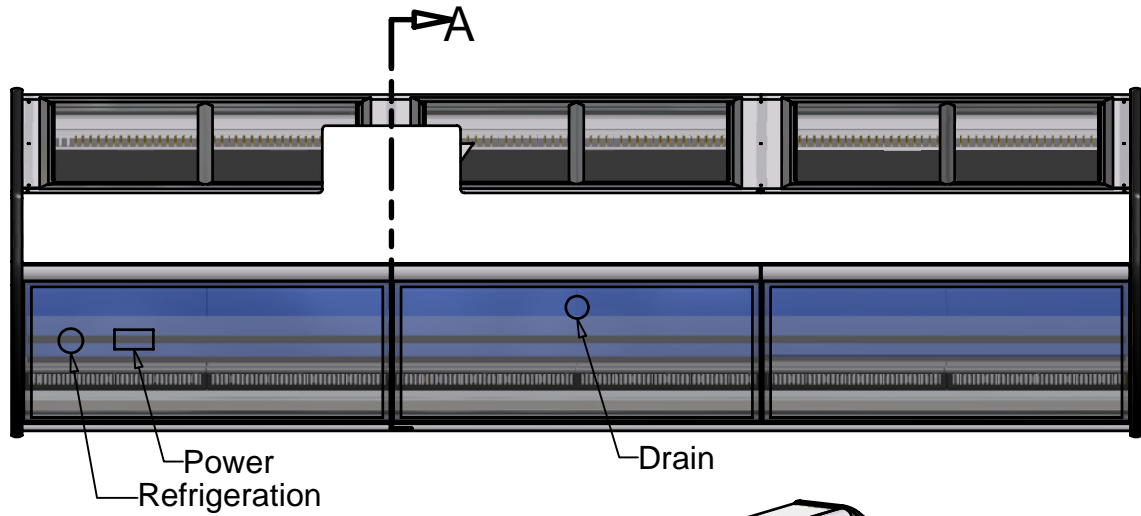


2

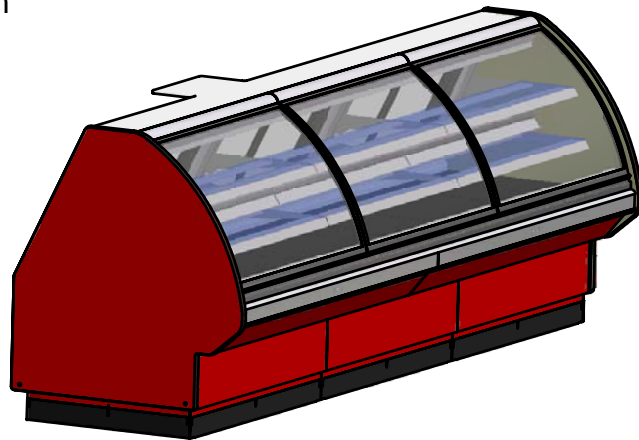


1



B

B

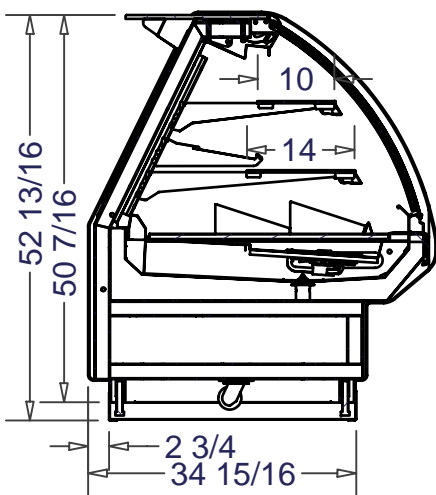


12' DELI BG12D

Refrigeration
 Load 5100 BUT/HR
 Suction Temp 20° F
 Liquid Line 3/8" OD
 Suction Line 5/8" OD

Electrical 115 VAC 60 HZ, 1 PH
 Evap Fans 1.56 Amps
 Light Ballast 2.82 Amps
 Total 4.38 Amps

Note: Separate Isolated Outlet Provided



Shown With Optional (2) Rows Lighted Glass Shelves

SCALE 1 / 25



Borgen Systems
 1901 Bell Avenue, Suite 2
 Des Moines, IA 50315
 www.borgensystems.com

SCALE:
 DATE: 12/15/2004

DRAWN BY: DWT
 CHECKED BY:

12' DELI BG12D

DATE	REV.	DIM: INCH
REVISION		TOL: +/- 1/32

DRAWING NUMBER:
P4539A

2



1

A

A