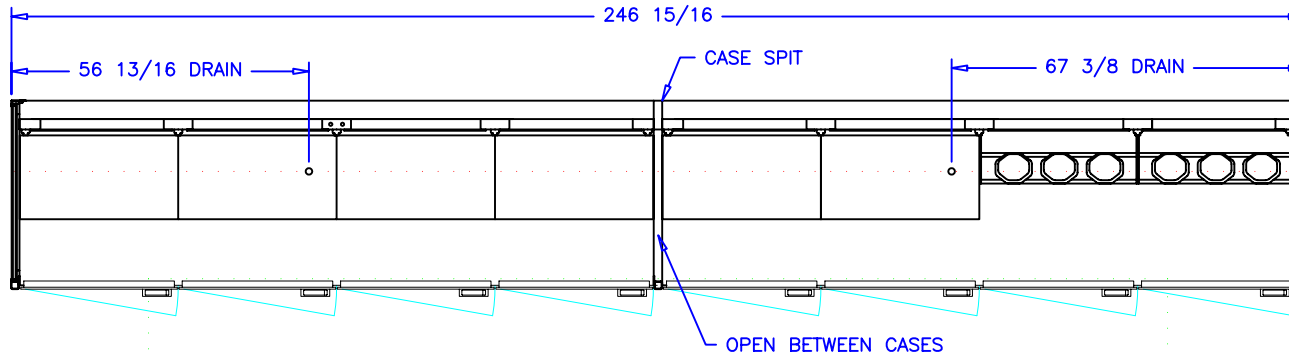


4DR CASE SPECIFICATIONS:

REFRIGERATION
 LOAD: 6,900 BTU/hr
 SUCTION TEMP: 20° F
 LIQUID LINE: 3/8IN ODS
 SUCTION LINE: 5/8IN ODS

ELECTRICAL 115VAC, 60HZ, 1PH.
 EVAP. FANS: .26A
 LIGHT BALLAST: 1.88A
 COND. PUMP: 1.0A
 EVAP. PAN: 3.0A
 TOTAL: 6.14A

ELECTRICAL 208VAC, 60HZ, 1PH.
 1HP COND. UNIT: 9.9A
 TOTAL: 9.9A

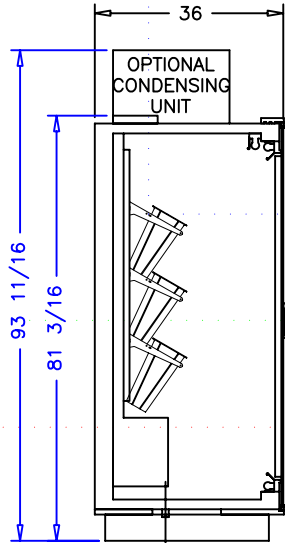
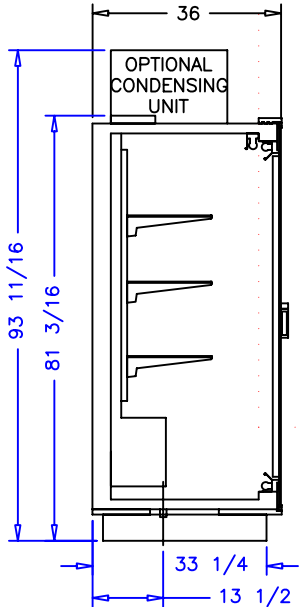


4DR CASE SPECIFICATIONS:

REFRIGERATION
 LOAD: 6,900 BTU/hr
 SUCTION TEMP: 20° F
 LIQUID LINE: 3/8IN ODS
 SUCTION LINE: 5/8IN ODS


ELECTRICAL 115VAC, 60HZ, 1PH.
 EVAP. FANS: .26A
 LIGHT BALLAST: 1.88A
 COND. PUMP: 1.0A
 EVAP. PAN: 3.0A
 TOTAL: 6.14A

ELECTRICAL 208VAC, 60HZ, 1PH.
 1HP COND. UNIT: 9.9A
 TOTAL: 9.9A



NOTES:

1. OPTIONS NOT SHOWN ON DRAWING SHOULD BE LISTED IN WRITTEN PROPOSAL AND LISTED ON PURCHASE ORDER.
2. ELEC. CONNECTION: 115V/230V, 4x4 SUPPLY BOX AS NEEDED.
3. EXPANSION VALVES: SPORLAN "Q" SERIES STANDARD UNLESS OTHERWISE SPECIFIED.
4. DEFROST CONTROL: REMOTE CASES (N/A, DIGITAL CASE CONTROLLERS AVAILABLE), OPTIONAL CONDENSING UNIT (DIGITAL CASE CONTROLLER).
5. THERMOSTATS & LIQUID LINE SOLENOID VALVES: OPTIONAL.
6. DRAIN: 1 INCH NATIONAL PIPE STRAIGHT THREAD.
7. SPECIFICATIONS SUBJECT TO CHANGE WITHOUT NOTICE.

		 börger systems	
SCALE:	1:24	DRAWN BY: D HUNT	
DATE:	4-19-04	CHECKED BY:	
8 DOOR (2) GE2			
DATE	REV.	DIM:	INCH
REVISION		TOL:	
			DRAWING NUMBER P4428B