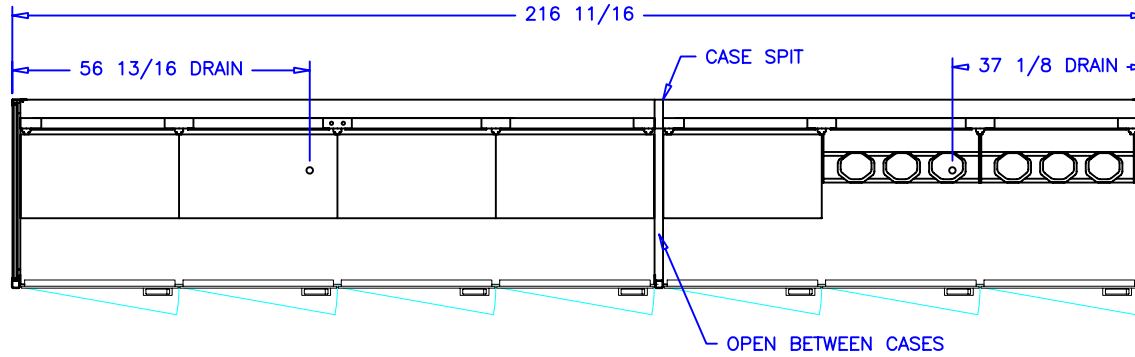


**4DR CASE SPECIFICATIONS:**

REFRIGERATION  
 LOAD: 6,900 BTU/hr  
 SUCTION TEMP: 20° F  
 LIQUID LINE: 3/8IN ODS  
 SUCTION LINE: 5/8IN ODS

ELECTRICAL 115VAC, 60HZ, 1PH.  
 EVAP. FANS: .26A  
 LIGHT BALLAST: 1.88A  
 COND. PUMP: 1.0A  
 EVAP. PAN: 3.0A  
 TOTAL: 6.14A

ELECTRICAL 208VAC, 60HZ, 1PH.  
 1HP COND. UNIT: 9.9A  
 TOTAL: 9.9A

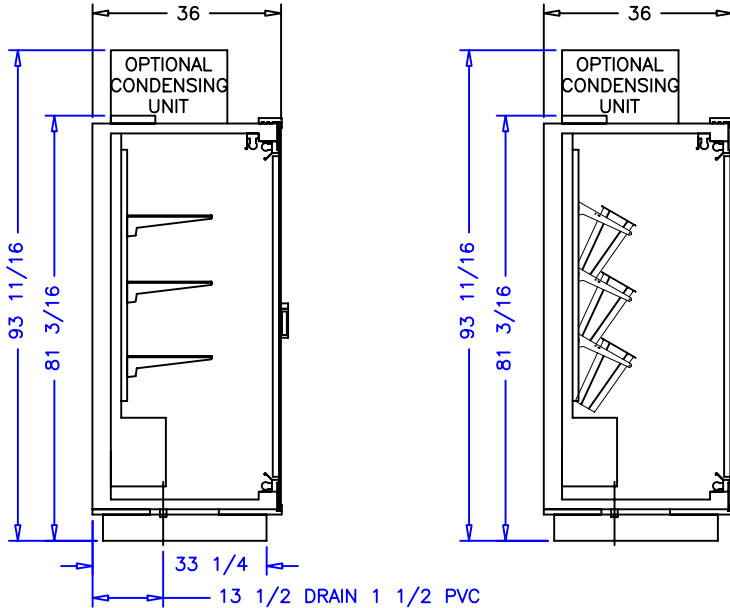


**3DR CASE SPECIFICATIONS:**

REFRIGERATION  
 LOAD: 4,200 BTU/hr  
 SUCTION TEMP: 20° F  
 LIQUID LINE: 3/8IN ODS  
 SUCTION LINE: 5/8IN ODS


ELECTRICAL 115VAC, 60HZ, 1PH.  
 EVAP. FANS: .13A  
 LIGHT BALLAST: .94A  
 COND. PUMP: 1.0A  
 EVAP. PAN: 3.0A  
 TOTAL: 5.07A

ELECTRICAL 208VAC, 60HZ, 1PH.  
 3/4HP COND. UNIT: 8.8A  
 TOTAL: 8.8A



**NOTES:**

1. OPTIONS NOT SHOWN ON DRAWING SHOULD BE LISTED IN WRITTEN PROPOSAL AND LISTED ON PURCHASE ORDER.
2. ELEC. CONNECTION: 115V/230V, 4x4 SUPPLY BOX AS NEEDED.
3. EXPANSION VALVES: SPORLAN "Q" SERIES STANDARD UNLESS OTHERWISE SPECIFIED.
4. DEFROST CONTROL: REMOTE CASES (N/A, DIGITAL CASE CONTROLLERS AVAILABLE), OPTIONAL CONDENSING UNIT (DIGITAL CASE CONTROLLER).
5. THERMOSTATS & LIQUID LINE SOLENOID VALVES: OPTIONAL.
6. DRAIN: 1 INCH NATIONAL PIPE STRAIGHT THREAD.
7. SPECIFICATIONS SUBJECT TO CHANGE WITHOUT NOTICE.

				<b>börger systems</b>	
		SCALE: 1:24			DRAWN BY: D HUNT
		DATE: 4-19-04			CHECKED BY:
		7 DOOR (2) GE2			
DATE	REV.	DIM:	INCH		DRAWING NUMBER
REVISION		TOL:			P4427B