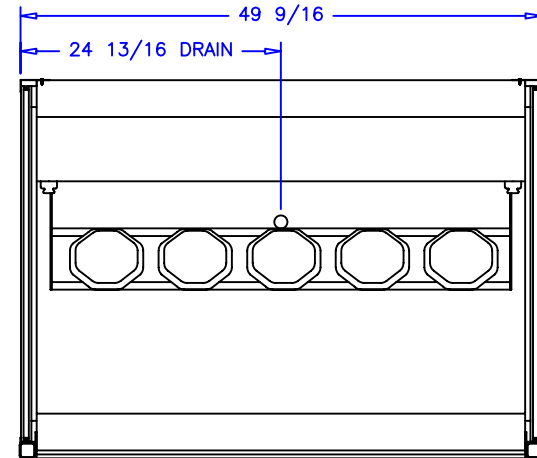


CASE SPECIFICATIONS:

REFRIGERATION  
 LOAD: 5,580 BTU/hr  
 SUCTION TEMP: 20'  
 LIQUID LINE: 3/8IN ODS  
 SUCTION LINE: 5/8IN ODS


ELECTRICAL 115VAC, 60HZ, 1PH.  
 EVAP. FANS: .26A  
 LIGHT BALLAST: 2.4A  
 CONDENSATE PUMP: 1.0A  
 TOTAL: 3.66A

ELECTRICAL 230VAC, 60HZ, 1PH.  
 EVAP. PAN: 6.5A  
 3/4HP COND. UNIT: 10.0A  
 TOTAL: 16.5A



NOTES:

1. OPTIONS NOT SHOWN ON DRAWING SHOULD BE LISTED IN WRITTEN PROPOSAL AND LISTED ON PURCHASE ORDER.
2. ELEC. CONNECTION: 115V/230V, 4x4 SUPPLY BOX AS NEEDED.
3. EXPANSION VALVES: SPORLAN "Q" SERIES STANDARD UNLESS OTHERWISE SPECIFIED.
4. DEFROST CONTROL: REMOTE CASES (N/A, DIGITAL CASE CONTROLLERS AVAILABLE), OPTIONAL CONDENSING UNIT (DIGITAL CASE CONTROLLER).
5. THERMOSTATS & LIQUID LINE SOLENOID VALVES: OPTIONAL.
6. DRAIN: 1 INCH NATIONAL PIPE STRAIGHT THREAD.
7. SPECIFICATIONS SUBJECT TO CHANGE WITHOUT NOTICE.

		 <b>börger systems</b>	
		SCALE: 1:12	DRAWN BY: D HUNT
		DATE: 3-10-04	CHECKED BY:
4FT DF			
DATE	REV.	DIM: INCH	DRAWING NUMBER
REVISION		TOL:	P4393B