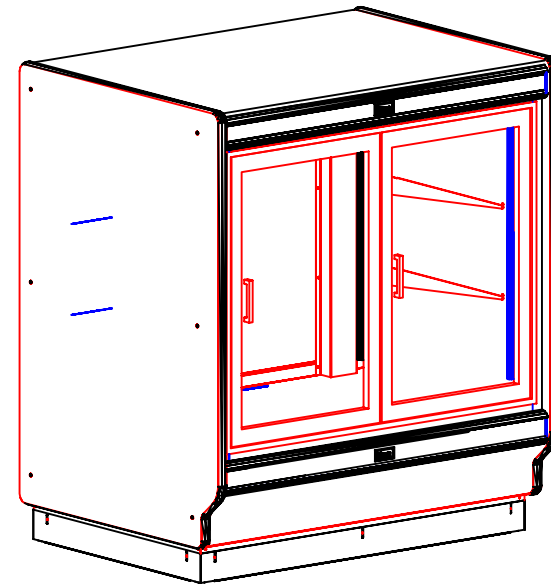
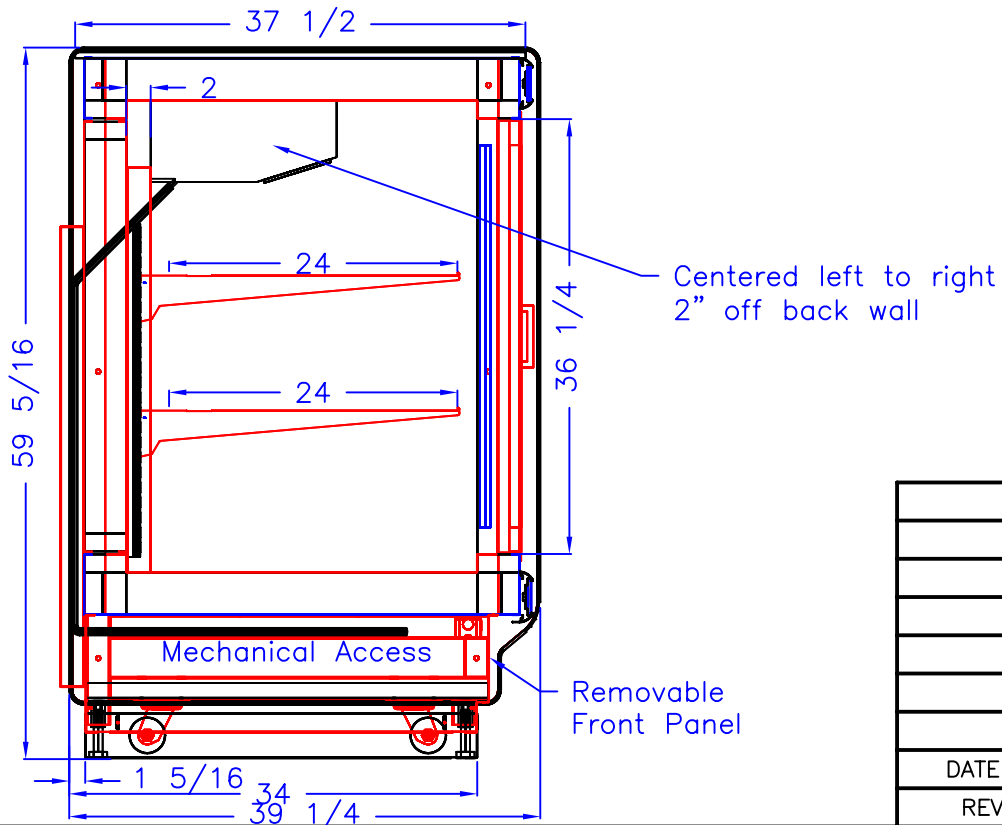


Electrical Requirements
 Door Heaters
 120 V 5.23 Amp
 Door Lights
 120 V 1.95 Amp
 Defrost Heater
 208 V 5.2 Amp
 Evap Fans
 120 V 1.8 Amp



börger systems			
SCALE: 1:16		DRAWN BY:	
DATE: 08/31/04		CHECKED BY: DWT	
4' FREEZER BG4F			
DATE	REV.	DIM: INCH	DRAWING NUMBER
REVISION		TOL: ±1/32	P4269A