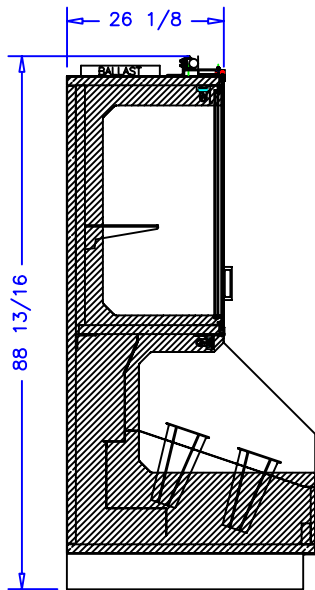
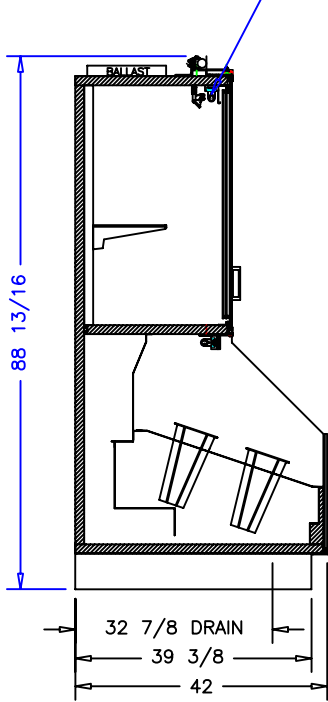


T8 FLUORECENT LAMPS
& (2) HALOGEN SPOTS
PER DOOR



LEFT CASE SPECIFICATIONS:

REFRIGERATION:
LOAD: 8,500 BTU/hr

SUCTION TEMP: 20°F
SUCTION LINE: 5/8IN ODS
LIQUID LINE: 3/8IN ODS

ELECTRICAL 115V, 60HZ, 1PH
EVAP. FANS: 1.66A
LIGHT BALLASTS: 0.74A
LIGHT TRANSFORMERS: 2.6A
TOTAL: 5.0A
MCA: 15.0A

RIGHT CASE SPECIFICATIONS:


REFRIGERATION:
LOAD: 8,500 BTU/hr

SUCTION TEMP: 20°F
SUCTION LINE: 5/8IN ODS
LIQUID LINE: 3/8IN ODS

ELECTRICAL 115V, 60HZ, 1PH
EVAP. FANS: 1.66A
LIGHT BALLASTS: 0.74A
LIGHT TRANSFORMERS: 2.6A
TOTAL: 5.0A
MCA: 15.0A

NOTES:

1. OPTIONS NOT SHOWN ON DRAWING SHOULD BE LISTED IN WRITTEN PROPOSAL AND LISTED ON PURCHASE ORDER.
2. ELEC. CONNECTION: 115V/230V, 4x4 SUPPLY BOX AS NEEDED.
3. EXPANSION VALVES: SPORLAN "Q" SERIES STANDARD UNLESS OTHERWISE SPECIFIED.
4. DEFROST CONTROL: REMOTE CASES (N/A, DIGITAL CASE CONTROLLERS AVAILABLE), OPTIONAL CONDENSING UNIT (DIGITAL CASE CONTROLLER).
5. THERMOSTATS & LIQUID LINE SOLENOID VALVES: OPTIONAL.
6. DRAIN: 1 1/2 INCH PVC.
7. SPECIFICATIONS SUBJECT TO CHANGE WITHOUT NOTICE.

AUTHORIZATION (PRINT):	DATE:	 börger systems		DRAWN BY: D HUNT
SIGNATURE:				SCALE: 1:32
		DATE: 5-2-01	6DR, 12FT HUTCH	
		10-24-05 DRH		
REVISION	DATE	REV.	DIM: INCH	DRAWING NUMBER
		TOL:		P3754A