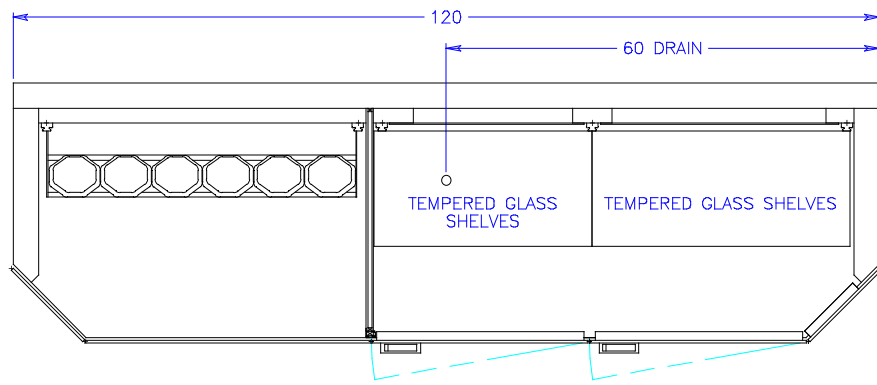


OPEN CASE SPECIFICATIONS:

REFRIGERATION  
 LOAD: 4,890 BTU/hr  
 SUCTION TEMP: 20° F  
 LIQUID LINE: 3/8IN ODS  
 SUCTION LINE: 5/8IN ODS

ELECTRICAL 115V, 60HZ, 1PH.  
 EVAP. FANS: 0.36A  
 LIGHT BALLASTS: 2.4A  
 TOTAL: 2.76A

ELECTRICAL 230V, 60HZ, 1PH.  
 1 1/2HP COND. UNIT: 15.9A  
 TOTAL: 15.9A

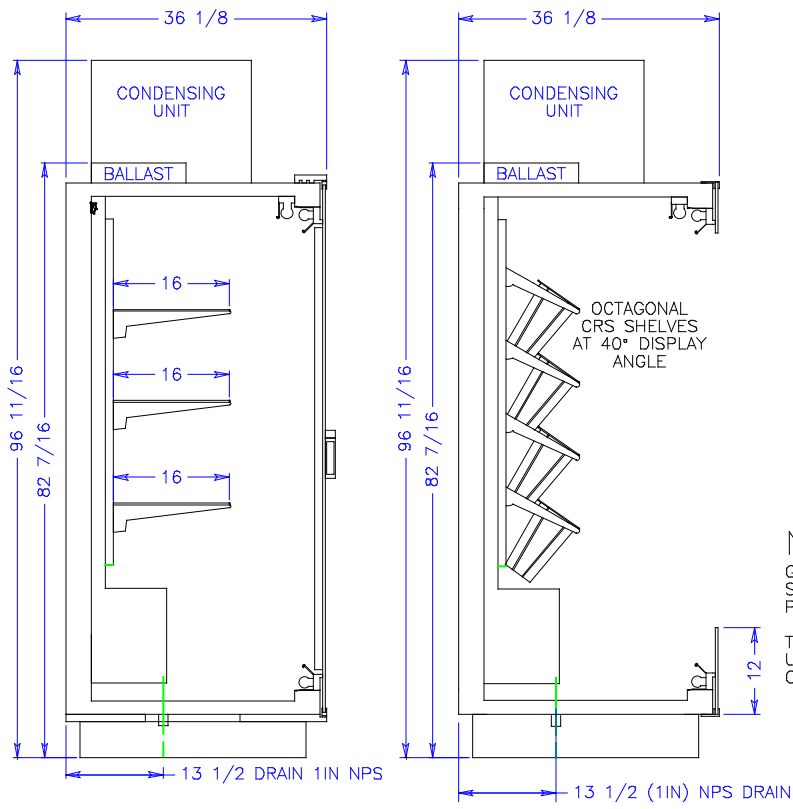


DOORED CASE SPECIFICATIONS:

REFRIGERATION  
 LOAD: 2,875 BTU/hr  
 SUCTION TEMP: 20° F  
 LIQUID LINE: 3/8IN ODS  
 SUCTION LINE: 5/8IN ODS

ELECTRICAL 115V, 60HZ, 1PH.  
 EVAP. FANS: 0.36A  
 LIGHT BALLASTS: 2.4A  
 CONDENSATE PUMP: 1.0A  
 TOTAL: 3.76A

ELECTRICAL 230V, 60HZ, 1PH.  
 EVAP. PAN: 6.5A  
 TOTAL: 6.5A



NOTE:  
 GLASS HEIGHT OF OPEN SECTION HAS BEEN REDUCED PER CUSTOMER REQUEST.  
 THIS WILL INCREASE ENERGY USAGE AND REDUCE THE COOLING EFFECTIVENESS.

NOTES:

1. DOORS: LEFT HAND HINGED STANDARD. RIGHT HAND OPTIONAL. (NO HEATERS REQ'D).
2. LIGHTS: HIGH OUTPUT/COOL WHITE STANDARD. SPX35 AVAIL. IN LIMITED BULB LENGTHS.
3. ELEC. CONNECTION: TOP MOUNTED 115V/230V, 4X4 SUPPLY BOX AS NEEDED.
4. REFG: R22 STANDARD UNLESS OTHERWISE SPEC. (STUBBED OUT TOP/REAR OF CASE).
5. COMPUTERIZED CASE CONTROLLERS: OPTIONAL.
6. EXPANSION VALVES: SPORLAN "EG" SERIES STANDARD UNLESS OTHERWISE SPECIFIED.
7. DEFROST CONTROL: RMT. CASE (N/A). OPTIONAL C.U. (PRESSURE CONTROL SWITCH).
8. THERMOSTATS & LIQUID LINE SOLENOID VALVES: OPTIONAL.
9. SPECIFICATIONS SUBJECT TO CHANGE WITHOUT NOTICE.

<b>börgeren systems</b>			
SCALE:	1:16	DRAWN BY: J. MAUK	
DATE:	9-12-97	CHECKED BY:	
12-29-98	DRH	2DR OPEN 39 1/2 LEFT COMBO	
DATE:	REV.	DIM:	INCHES
REVISION		TOL:	±1/4
			DRAWING NUMBER <b>P2601B</b>