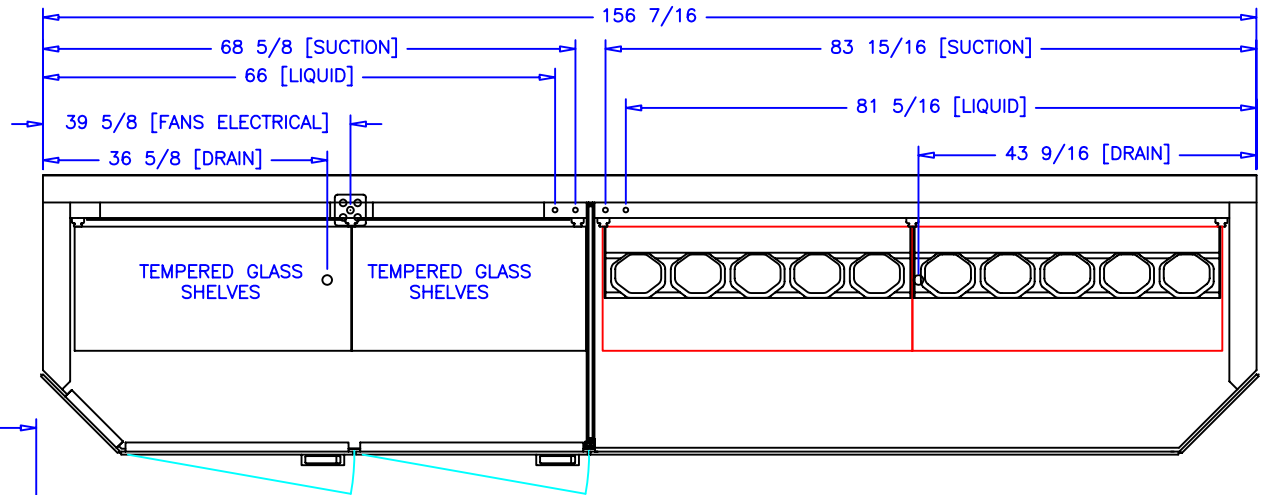


**DOORED CASE SPECIFICATIONS:**

REFRIGERATION  
 LOAD: 2,875 BTU/hr  
 SUCTION TEMP: 25° F  
 LIQUID LINE: 3/8IN ODS  
 SUCTION LINE: 5/8IN ODS

ELECTRICAL 115V, 60HZ, 1PH.  
 EVAP. FANS: 0.13A  
 LIGHT BALLASTS: 2.4A  
 COND. PUMP: 1.0A  
 TOTAL: 3.53A

ELECTRICAL 230V, 60HZ, 1PH.  
 EVAP. PAN: 7.2A  
 1/2HP COND. UNIT: 4.0A  
 TOTAL: 11.2A



**OPEN CASE SPECIFICATIONS:**

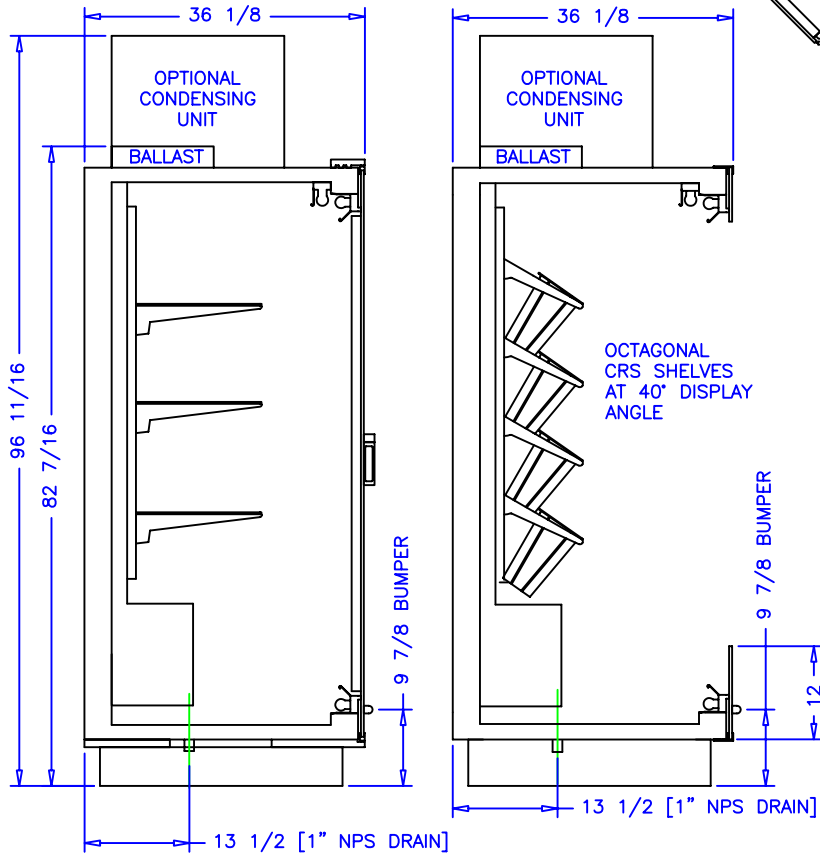
REFRIGERATION  
 LOAD: 8,550 BTU/hr  
 SUCTION TEMP: 25° F  
 LIQUID LINE: 3/8IN ODS  
 SUCTION LINE: 5/8IN ODS

ELECTRICAL 115V, 60HZ, 1PH.  
 EVAP. FANS: 0.26A  
 LIGHT BALLASTS: 2.4A  
 TOTAL: 2.66A

ELECTRICAL 230V, 60HZ, 1PH.  
 1 1/2HP COND. UNIT: 10.9A  
 TOTAL: 10.9A

**NOTES:**

1. OPTIONS NOT SHOWN ON DRAWING SHOULD BE STATED IN WRITTEN PROPOSAL AND LISTED ON PURCHASE ORDER.
2. ELEC. CONNECTION: 115V/230V, 4X4 SUPPLY BOX AS NEEDED.
3. EXPANSION VALVES: SPORLAN "Q" SERIES STANDARD UNLESS OTHERWISE SPECIFIED.
4. DEFROST CONTROL: REMOTE CASES (N/A, DIGITAL CASE CONTROLLERS AVAILABLE), OPTIONAL CONDENSING UNIT (DIGITAL CASE CONTROLLER).
5. THERMOSTATS & LIQUID LINE SOLENOID VALVES: OPTIONAL.
6. DRAIN: 1 INCH NATIONAL PIPE STRAIGHT THREAD.
7. SPECIFICATIONS SUBJECT TO CHANGE WITHOUT NOTICE.



**NOTE:**

GLASS HEIGHT OF OPEN SECTION HAS BEEN REDUCED PER CUSTOMER REQUEST.

THIS WILL INCREASE ENERGY USAGE AND REDUCE THE COOLING EFFECTIVENESS.

6-18-07	DH		börger systems		DRAWN BY: J. MAUK
01-05-00	DH				CHECKED BY: NAME
01-05-99	DH				
12-29-98	DH	SCALE: 1:16			
06-08-98	JM	DATE: 07-24-96			
12-04-97	JM	2 DR - 2 BAY OPEN 75 RIGHT			
02-04-97	JM				
DATE	REV.	DIM:	INCH	DRAWING NUMBER	
REVISION		TOL:	±1/32	P2283B	