

CASE SPECIFICATIONS:

REFRIGERATION

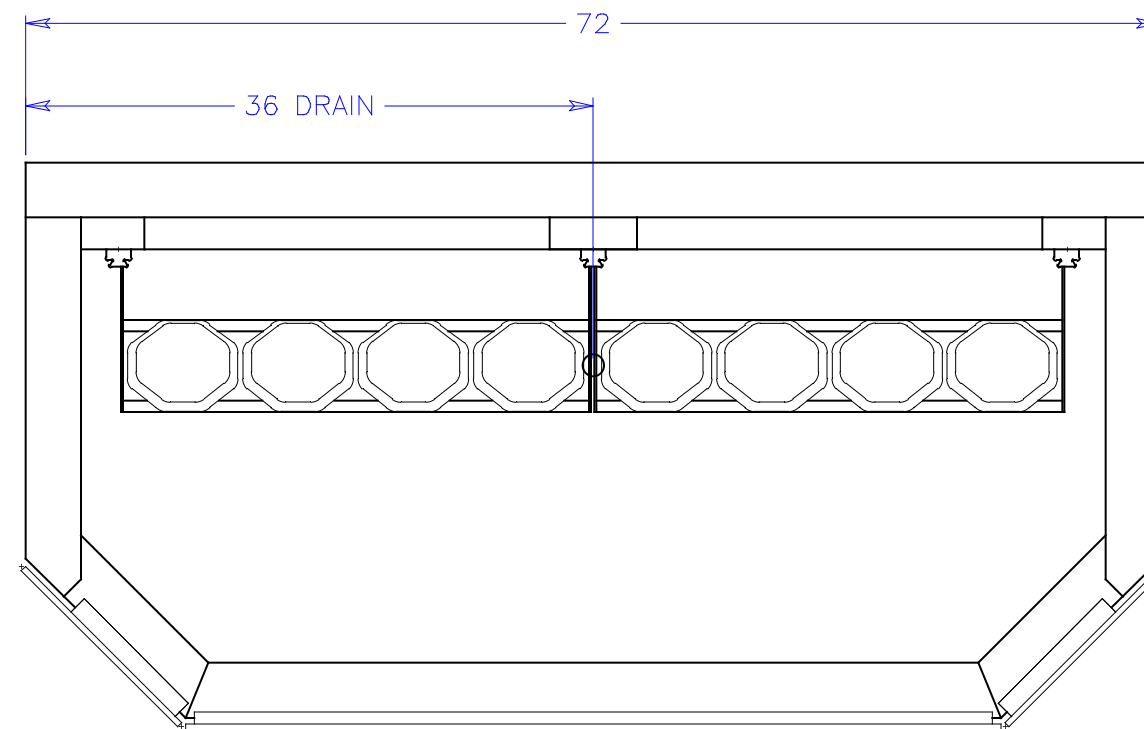
LOAD: 7,200 BTU/hr
 SUCTION TEMP: 20° F
 LIQUID LINE: 3/8IN ODS
 SUCTION LINE: 5/8IN ODS

ELECTRICAL 115V, 60HZ, 1PH.

EVAP. FANS: 0.36A
 LIGHT BALLASTS: 2.4A
 CONDENSATE PUMP: 1.0A
 TOTAL: 3.76A

ELECTRICAL 230V, 60HZ, 1PH.

EVAP. PAN: 6.5A
 1HP COND. UNIT: 9.9A
 TOTAL: 16.4A



NOTES:

1. OPTIONS NOT SHOWN ON DRAWING SHOULD BE STATED IN WRITTEN PROPOSAL AND LISTED ON PURCHASE ORDER.
2. ELEC. CONNECTION: 115V/230V, 4X4 SUPPLY BOX AS NEEDED.
3. EXPANSION VALVES: SPORLAN "Q" SERIES STANDARD UNLESS OTHERWISE SPECIFIED.
4. DEFROST CONTROL: REMOTE CASES (N/A, DIGITAL CASE CONTROLERS AVAILABLE), OPTIONAL CONDENSING UNIT (DIGITAL CASE CONTROLLER).
5. THERMOSTATS & LIQUID LINE SOLENOID VALVES: OPTIONAL.
6. DRAIN: 1 INCH NATIONAL PIPE STRAIGHT THREAD.
7. SPECIFICATIONS SUBJECT TO CHANGE WITHOUT NOTICE.

börger systems			
		SCALE: 1:12	DRAWN BY: J. MAUK
7-30-98	DRH	DATE: 9-7-94	CHECKED BY:
11-21-97	JMM	OPEN 72	
3-7-97	JMM		
DATE:	REV.	DIM: INCHES	DRAWING NUMBER
REVISION		TOL: ±1/4	P1789B