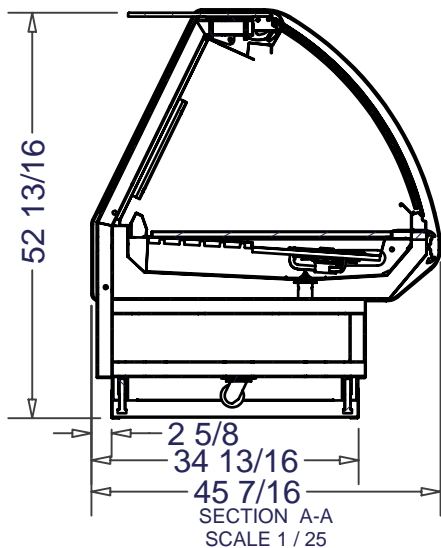


12' DELI BG12D

Refrigeration  
Load 5100 BUT/HR  
Suction Temp 20° F  
Liquid Line 3/8" OD  
Suction Line 5/8" OD

Electrical 115 VAC 60 HZ, 1 PH  
Evap Fans 1.56 Amps  
Light Ballast 2.82 Amps  
Total 4.38 Amps

Note: Separate Isolated Outlet Provided



				Borgen Systems 1901 Bell Avenue, Suite 2 Des Moines, IA 50315 www.borgensystems.com	
				SCALE:	
		DATE:	12/15/2004	CHECKED BY:	
		<b>12' DELI BG12D</b>			
DATE	REV.	DIM:	INCH	DRAWING NUMBER:	
REVISION		TOL:	+/- 1/32	<b>P4539A</b>	