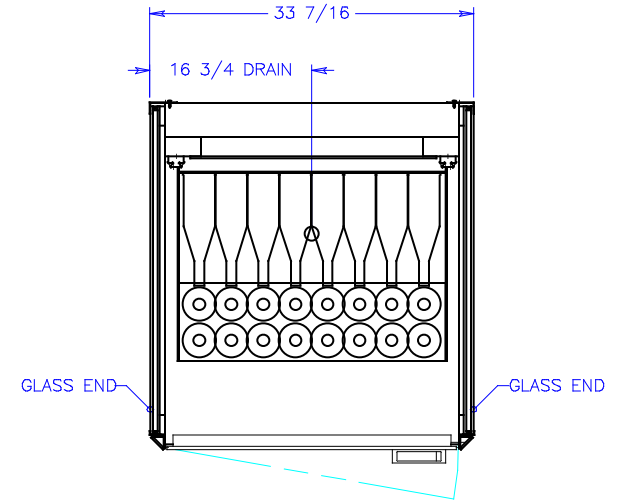
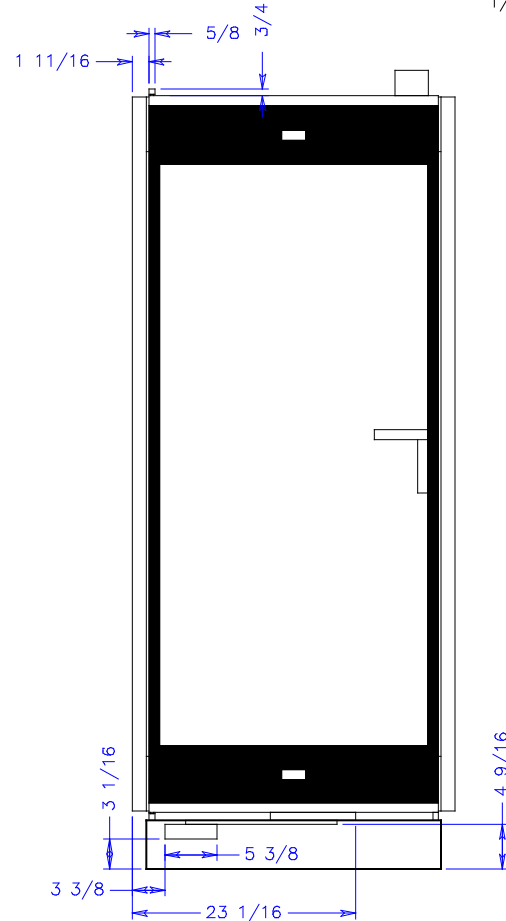
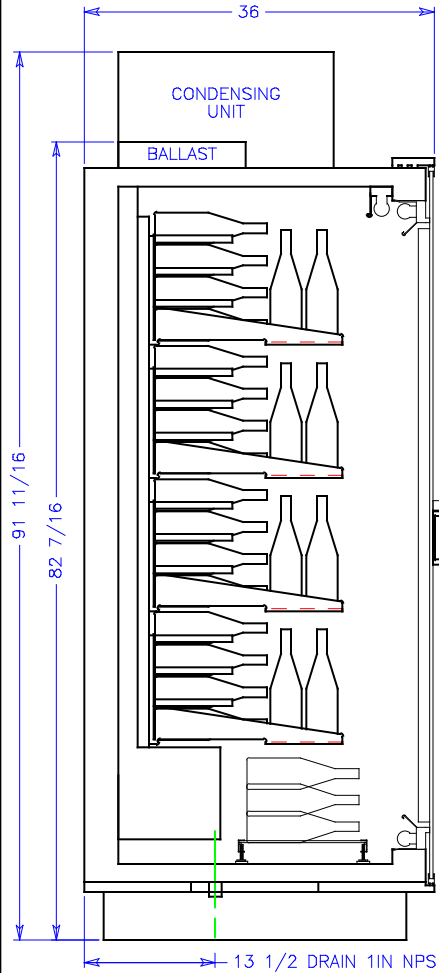


CASE SPECIFICATIONS:

REFRIGERATION
 LOAD: 2,025 BTU/hr
 SUCTION TEMP: 30° F
 LIQUID LINE: 3/8IN ODS
 SUCTION LINE: 5/8IN ODS

ELECTRICAL 115V, 60HZ, 1PH.
 EVAP. FANS: 0.36A
 LIGHT BALLASTS: 2.4A
 CONDENSATE PUMP: 1.0A
 EVAP. PAN: 3.0A
 1/4HP COND. UNIT: 9.1A
 TOTAL: 15.86A



NOTES:

1. OPTIONS NOT SHOWN ON DRAWING SHOULD BE STATED IN WRITTEN PROPOSAL AND LISTED ON PURCHASE ORDER.
2. ELEC. CONNECTION: 115V/230V, 4X4 SUPPLY BOX AS NEEDED.
3. EXPANSION VALVES: SPORLAN "Q" SERIES STANDARD UNLESS OTHERWISE SPECIFIED.
4. DEFROST CONTROL: REMOTE CASES (N/A, DIGITAL CASE CONTROLLERS AVAILABLE), OPTIONAL CONDENSING UNIT (DIGITAL CASE CONTROLLER).
5. THERMOSTATS & LIQUID LINE SOLENOID VALVES: OPTIONAL.
6. DRAIN: 1 INCH NATIONAL PIPE STRAIGHT THREAD.
7. SPECIFICATIONS SUBJECT TO CHANGE WITHOUT NOTICE.

börger systems			
SCALE: 1:12		DRAWN BY: D HUNT	
DATE: 5-26-99		CHECKED BY:	
1 DOOR (2) GE2 WINE			
6-1-99	DRH		
DATE:	REV.	DIM: INCHES	DRAWING NUMBER
REVISION		TOL: ±1/4	P3032B