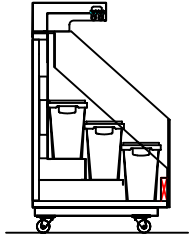
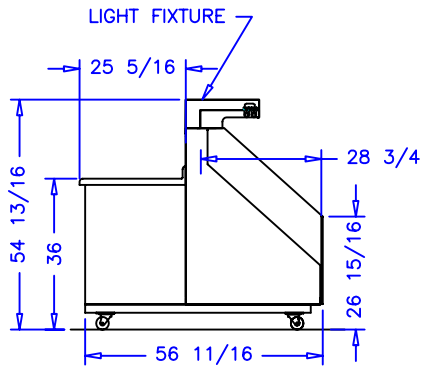
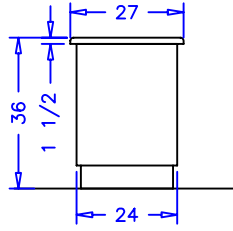


OPTIONAL POWER CABINET FOR CASES NEEDING CONDENSING UNIT. REFRIGERATION LINES PLUMBED BY INSTALLERS. POWER CABINET HAS NO STORAGE OR DISPLAY.

REFRIG. AND ELEC. AT BOTTOM, BACK OF CASE SPLIT
CASE SPLIT HERE
SAMPLE UTILITY CHASE LOCATION



CASE SPECIFICATIONS:

REFRIGERATION:
UPPER SECTION 8,000 BTU/hr
LOWER SECTION 16,000 BTU/hr
SUCTION TEMP: 20°F
SUCTION LINE: 5/8" ODS
LIQUID LINE: 3/8" ODS

ELECTRICAL:
EVAP. FANS 115VAC/ 0.39A
LIGHT BALLASTS 115VAC/ 2.32A

OPTIONAL HIGH LIFT PUMP
PUMP 115VAC/ 1.50A

OPTIONAL 3HP CONDENSING UNIT
COND. UNIT 208VAC/ 19.10A

ADDITIONAL SPECIFICATIONS:

REFRIGERATION:
LOAD PER FOOT: 690 BTU/hr
ELECTRICAL POWER CONSUMPTION
EVAP. FANS: 0.075 kW/hr
LIGHT BALLASTS: 0.511 kW/hr
OPTIONAL COND. UNIT: 3.578 kW/hr

14" PROCONA BUCKETS: 69
10" ROO BUCKETS: 66
5 GALLON BUCKETS: 54
ACTUAL FOOT PRINT: 100.3 SQFT
TOTAL AREA: 126.1 SQFT

PUMP INFORMATION:
GPM: 3.0
OUTPUT: 60 PSI
HEAD: 125FT

NOTES:

1. OPTIONS NOT SHOWN ON DRAWING SHOULD BE STATED IN WRITTEN PROPOSAL AND LISTED ON PURCHASE ORDER.
2. ELECTRICAL CONNECTION: 115V/230V, 4X4 SUPPLY BOX AS NEEDED.
3. EXPANSION VALVES: SPORLAN "Q" SERIES STANDARD UNLESS OTHERWISE SPECIFIED.
4. DEFROST CONTROL: REMOTE CASES (N/A, DIGITAL CASE CONTROLLERS AVAILABLE), OPTIONAL CONDENSING UNIT (DIGITAL CASE CONTROLLER).
5. THERMOSTATS & LIQUID LINE SOLENOID VALVES: OPTIONAL.
6. DRAIN: STRAINER BASKET W/TRAP TO 1 1/2 INCH PVC.
7. SPECIFICATIONS SUBJECT TO CHANGE WITHOUT NOTICE.

		SCALE: 1:30	DRAWN BY: A. BESIC
		DATE: 3-21-02	CHECKED BY: NAME
1-13-03	DRH	34FT 3 ROW LPM ISLAND	
5-16-02	DRH		
DATE	REV.	DIM: INCH	DRAWING NUMBER
REVISION	TOL:		P3930B