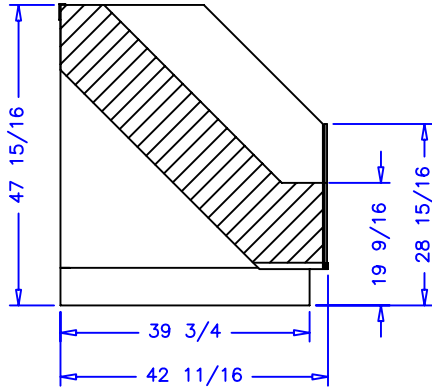
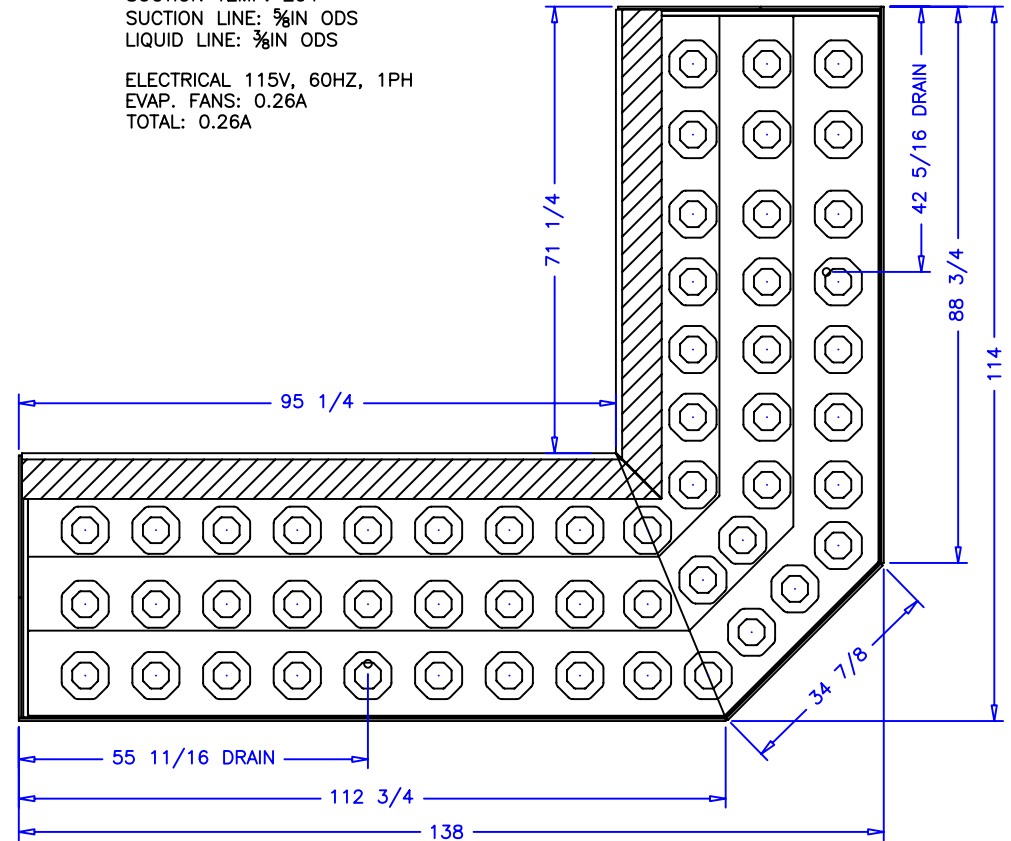


RIGHT CASE SPECIFICATIONS:

REFRIGERATION:
 LOAD: 15,300 BTU/hr
 SUCTION TEMP: 20°F
 SUCTION LINE: 5/8IN ODS
 LIQUID LINE: 3/8IN ODS

ELECTRICAL 115V, 60HZ, 1PH
 EVAP. FANS: 0.26A
 TOTAL: 0.26A



LEFT CASE SPECIFICATIONS:

REFRIGERATION:
 LOAD: 11,500 BTU/hr
 SUCTION TEMP: 20°F
 SUCTION LINE: 5/8IN ODS
 LIQUID LINE: 3/8IN ODS


ELECTRICAL 115V, 60HZ, 1PH
 EVAP. FANS: 0.26A
 TOTAL: 0.26A



33 3/16 1" NPS DRAIN

NOTES:

1. OPTIONS NOT SHOWN ON DRAWING SHOULD BE STATED IN WRITTEN PROPOSAL AND LISTED ON PURCHASE ORDER.
2. ELECTRICAL CONNECTION: 115V/230V, 4X4 SUPPLY BOX AS NEEDED.
3. EXPANSION VALVES: SPORLAN "Q" SERIES STANDARD UNLESS OTHERWISE SPECIFIED.
4. DEFROST CONTROL: REMOTE CASES (N/A, DIGITAL CASE CONTROLLERS AVAILABLE), OPTIONAL CONDENSING UNIT (DIGITAL CASE CONTROLLER).
5. THERMOSTATS & LIQUID LINE SOLENOID VALVES: OPTIONAL.
6. DRAIN: 1 INCH NATIONAL PIPE STRAIGHT THREAD.
7. SPECIFICATIONS SUBJECT TO CHANGE WITHOUT NOTICE.

		 börger systems	
		SCALE: 1:20	DRAWN BY: D HUNT
		DATE: 1-17-03	CHECKED BY: NAME
8' / 6' HP LPM CORNER WRAP			
DATE	REV.	DIM: INCH	DRAWING NUMBER
REVISION		TOL: ±1/32	P4081B