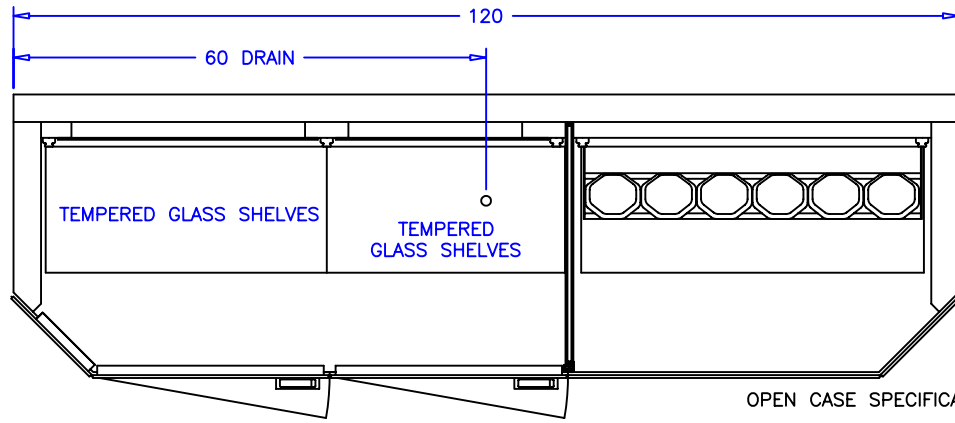


DOORED CASE SPECIFICATIONS:

REFRIGERATION:
 LOAD: 2,875 BTU/hr
 SUCTION TEMP: 20°F
 SUCTION LINE: 5/8" ODS
 LIQUID LINE: 3/8" ODS

ELECTRICAL 115V, 60HZ, 1PH
 EVAP. FANS: 0.13A
 LIGHT BALLASTS: .94A
 CONDENSATE PUMP: 1.0A
 TOTAL: 2.07A

OPTIONAL ELECTRICAL 230V, 60HZ, 1PH
 EVAP. PAN: 6.5A
 TOTAL: 6.5A

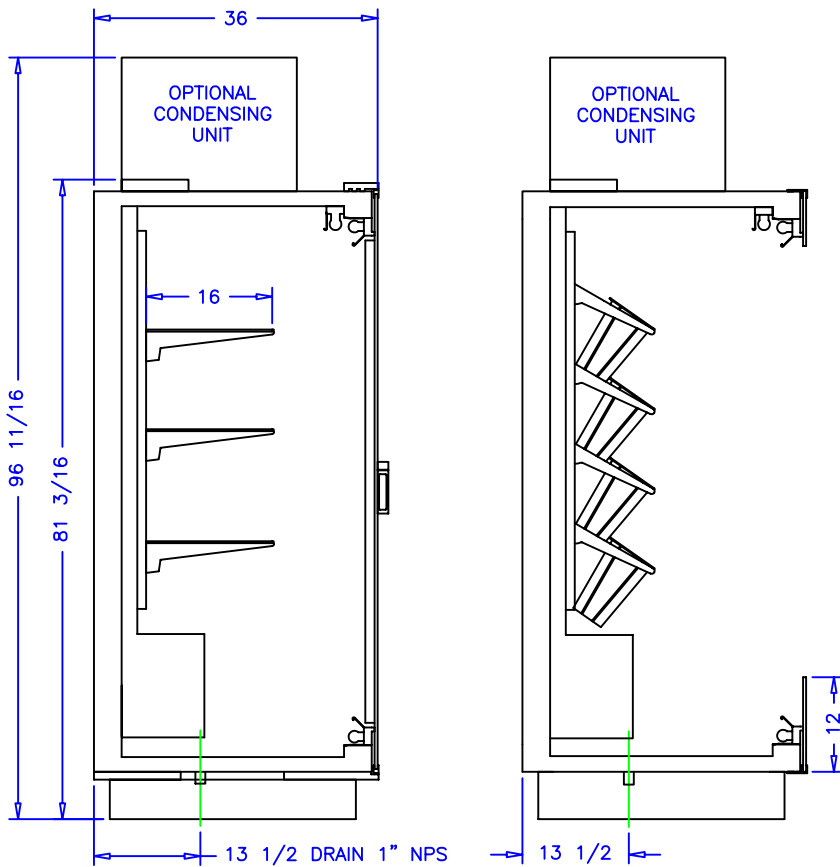


OPEN CASE SPECIFICATIONS:

REFRIGERATION:
 LOAD: 4,890 BTU/hr
 SUCTION TEMP: 20°F
 SUCTION LINE: 5/8" ODS
 LIQUID LINE: 3/8" ODS

ELECTRICAL 115V, 60HZ, 1PH
 EVAP. FANS: 0.13A
 LIGHT BALLASTS: .74A
 TOTAL: .87A

OPTIONAL ELECTRICAL 230V, 60HZ, 1PH
 1 1/2 HP CONDENSING UNIT: 15.9A
 TOTAL: 15.9A




NOTES:

1. OPTIONS NOT SHOWN ON DRAWING SHOULD BE STATED IN WRITTEN PROPOSAL AND LISTED ON PURCHASE ORDER.
2. ELECTRICAL CONNECTION: 115V/230V, 4X4 SUPPLY BOX AS NEEDED.
3. EXPANSION VALVES: SPORLAN "Q" SERIES STANDARD UNLESS OTHERWISE SPECIFIED.
4. DEFROST CONTROL: REMOTE CASES (N/A, DIGITAL CASE CONTROLLERS AVAILABLE), OPTIONAL CONDENSING UNIT (DIGITAL CASE CONTROLLER).
5. THERMOSTATS & LIQUID LINE SOLENOID VALVES: OPTIONAL.
6. DRAIN: 1 INCH NATIONAL PIPE STRAIGHT THREAD.
7. SPECIFICATIONS SUBJECT TO CHANGE WITHOUT NOTICE.

NOTE:

GLASS HIGHT OF OPEN SECTION HAS BEEN REDUCED PER CUSTOMER REQUEST.

THIS WILL INCREASE ENERGY USAGE AND REDUCE THE COOLING EFFECTIVENESS

				börger systems	
1-5-99	DRH	SCALE: 1:16	10' CASE		DRAWN BY: J. MAUK
12-29-98	DRH	DATE: 8-2-96			CHECKED BY: NAME
2-5-97	JMM	2DR 2 BAY OPEN 39 1/2 RIGHT			
8-29-96	SEH				
DATE	REV.	DIM: INCH	DRAWING NUMBER P2292B		
REVISION		TOL: ±1/32			