

CASE SPECIFICATIONS:

REFRIGERATION

LOAD: 10,700 BTU/hr
 SUCTION TEMP: 20° F
 LIQUID LINE: 3/8IN ODS
 SUCTION LINE: 5/8IN ODS

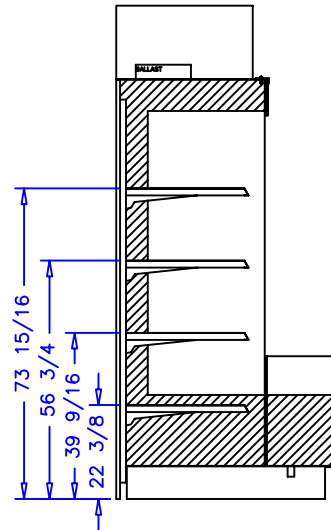
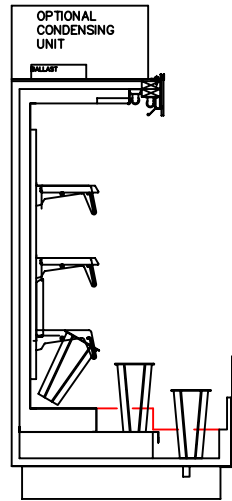
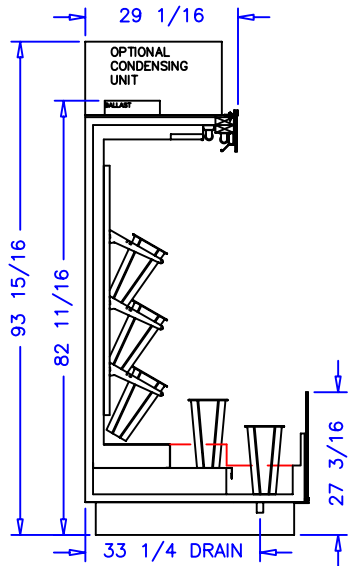
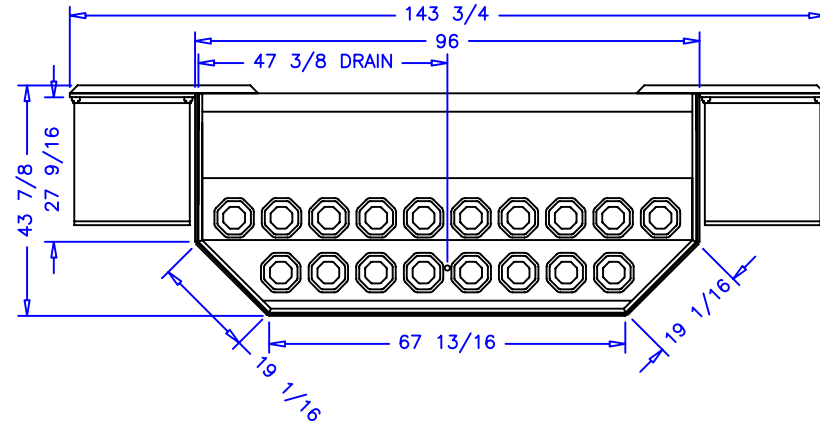
ELECTRICAL 115VAC, 60HZ, 1PH.

EVAP. FANS: .26A
 LIGHT BALLAST: .94A
 COND. PUMP: 1.0A (OPTIONAL)
 TOTAL: 2.20A
 MCA: 15.0A

ELECTRICAL 230VAC, 60HZ, 1PH.


EVAP. PAN: 6.5A (OPTIONAL)
 1 1/2HP COND. UNIT: 10.9A (OPTIONAL)

TOTAL: 17.4A
 MCA: 23.0A



NOTES:

1. OPTIONS NOT SHOWN ON DRAWING SHOULD BE STATED IN WRITTEN PROPOSAL AND LISTED ON PURCHASE ORDER.
2. ELEC. CONNECTION: 115V/230V, 4X4 SUPPLY BOX AS NEEDED.
3. EXPANSION VALVES: SPORLAN "Q" SERIES STANDARD UNLESS OTHERWISE SPECIFIED.
4. DEFROST CONTROL: REMOTE CASES (N/A, DIGITAL CASE CONTROLLERS AVAILABLE),
 OPTIONAL CONDENSING UNIT (DIGITAL CASE CONTROLLER).
5. THERMOSTATS & LIQUID LINE SOLENOID VALVES: OPTIONAL.
6. DRAIN: 1 INCH NATIONAL PIPE STRAIGHT THREAD.
7. SPECIFICATIONS SUBJECT TO CHANGE WITHOUT NOTICE.

		 börger systems	
		SCALE: 1:24	DRAWN BY: D. HUNT
		DATE: 7-26-02	CHECKED BY:
8-10-04	DRH	8FT RFO - 12 FT TMS	
9-18-03	DRH		
DATE	REV.	DIM: INCH	DRAWING NUMBER
REVISION		TOL: ±1/32	P4006B