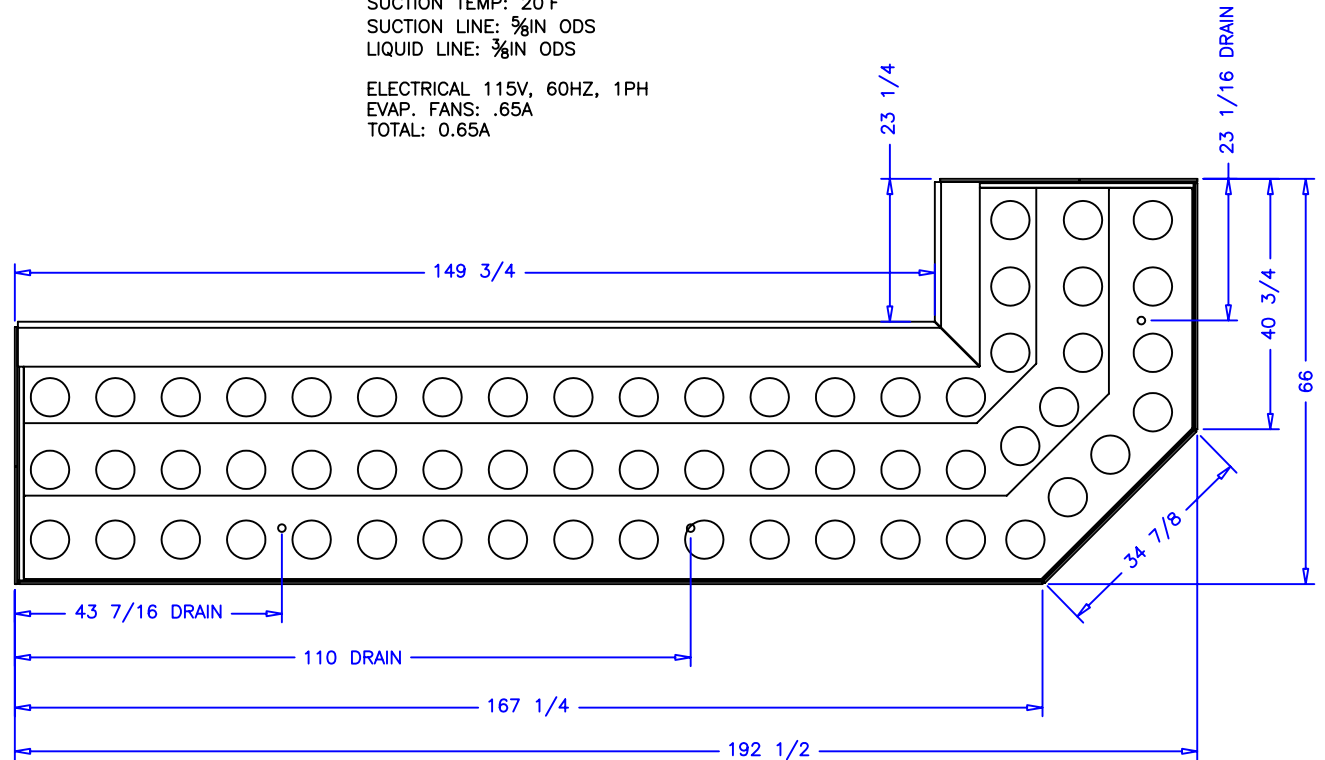


CASE SPECIFICATIONS:


REFRIGERATION:  
 LOAD: 30,820 BTU/hr  
 SUCTION TEMP: 20°F  
 SUCTION LINE: 5/8IN ODS  
 LIQUID LINE: 3/8IN ODS

ELECTRICAL 115V, 60HZ, 1PH  
 EVAP. FANS: .65A  
 TOTAL: 0.65A



NOTES:

1. OPTIONS NOT SHOWN ON DRAWING SHOULD BE STATED IN WRITTEN PROPOSAL AND LISTED ON PURCHASE ORDER.
2. ELECTRICAL CONNECTION: 115V/230V, 4X4 SUPPLY BOX AS NEEDED.
3. EXPANSION VALVES: SPORLAN "Q" SERIES STANDARD UNLESS OTHERWISE SPECIFIED.
4. DEFROST CONTROL: REMOTE CASES (N/A, DIGITAL CASE CONTROLLERS AVAILABLE), OPTIONAL CONDENSING UNIT (DIGITAL CASE CONTROLLER).
5. THERMOSTATS & LIQUID LINE SOLENOID VALVES: OPTIONAL.
6. DRAIN: 1 INCH NATIONAL PIPE STRAIGHT THREAD.
7. SPECIFICATIONS SUBJECT TO CHANGE WITHOUT NOTICE.

		 <b>börger systems</b>	
SCALE:	1:20	DRAWN BY: D HUNT	
DATE:	10-15-04	CHECKED BY: NAME	
12 1/2'-2' HP LPM CRNR WRAP			
DATE	REV.	DIM:	INCH
REVISION		TOL:	
			DRAWING NUMBER P4552B