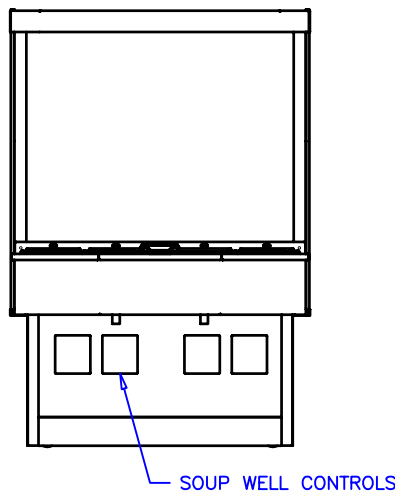
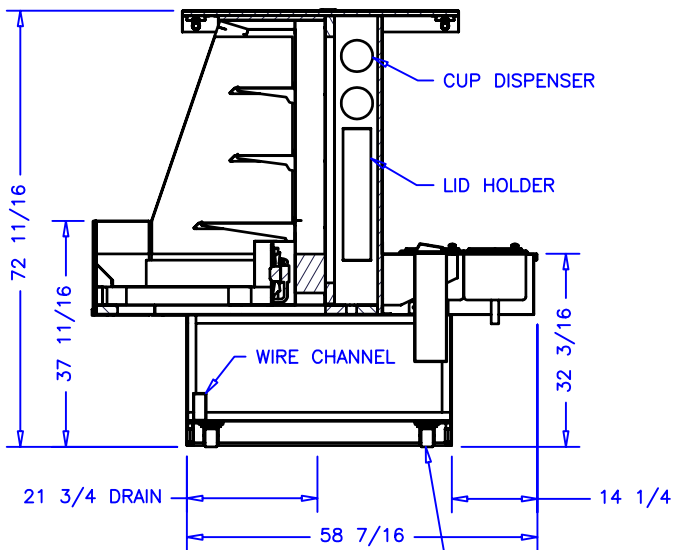


SOUP HUTCH SPECIFICATIONS:


REFRIGERATION
 LOAD: 5000 BTU/hr
 SUCTION TEMP: 20° F
 LIQUID LINE: 3/8IN ODS
 SUCTION LINE: 5/8IN ODS

ELECTRICAL 115VAC, 60HZ, 1PH.
 LIGHT BALLAST: .37A
 SOUP WELLS: 24A
 EVAP. FANS: .52A
 TOTAL: 24.89A
 MCA: 30A



NOTES:

1. OPTIONS NOT SHOWN ON DRAWING SHOULD BE LISTED IN WRITTEN PROPOSAL AND LISTED ON PURCHASE ORDER.
2. ELEC. CONNECTION: 115V/230V, 4x4 SUPPLY BOX AS NEEDED.
3. EXPANSION VALVES: SPORLAN "Q" SERIES STANDARD UNLESS OTHERWISE SPECIFIED.
4. DEFROST CONTROL: REMOTE CASES (N/A, DIGITAL CASE CONTROLLERS AVAILABLE), OPTIONAL CONDENSING UNIT (DIGITAL CASE CONTROLLER).
5. THERMOSTATS & LIQUID LINE SOLENOID VALVES: OPTIONAL.
6. DRAIN: 1 1/2 INCH PVC.
7. SPECIFICATIONS SUBJECT TO CHANGE WITHOUT NOTICE.

AUTHORIZATION (PRINT):	DATE:	 börger systems		DRAWN BY: D HUNT
SIGNATURE:				SCALE: 1:32
		9-12-05 DRH	DATE: 4-12-05	
		6-17-05 DRH		
		6-15-05 DRH		
		4' SOUP HUTCH BG4SH		
		DATE REV. DIM: INCH		DRAWING NUMBER
		REVISION TOL:		P4670A