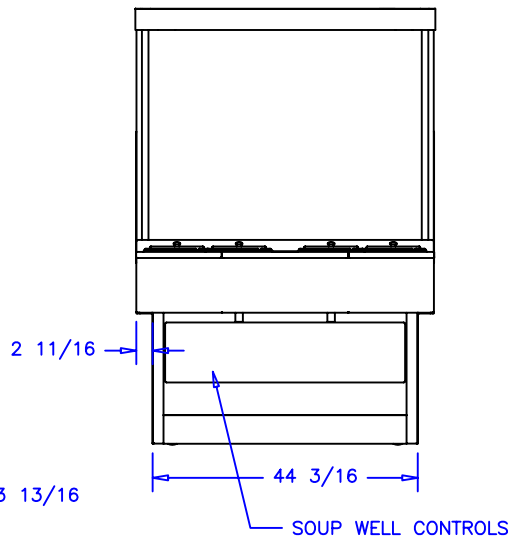
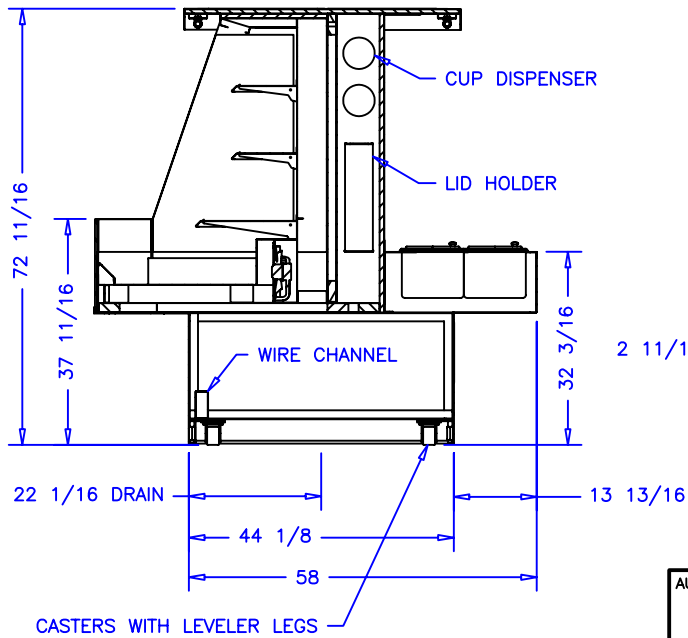


SOUP HUTCH  
SPECIFICATIONS:


REFRIGERATION  
LOAD: 5000 BTU/hr  
SUCTION TEMP: 20° F  
LIQUID LINE: 3/8IN ODS  
SUCTION LINE: 5/8IN ODS

ELECTRICAL 115VAC, 60HZ, 1PH.  
LIGHT BALLAST: .37A  
SOUP WELLS: 24A  
EVAP. FANS: .52A  
TOTAL: 24.89A  
MCA: 30A



NOTES:

1. OPTIONS NOT SHOWN ON DRAWING SHOULD BE LISTED IN WRITTEN PROPOSAL AND LISTED ON PURCHASE ORDER.
2. ELEC. CONNECTION: 115V/230V, 4x4 SUPPLY BOX AS NEEDED.
3. EXPANSION VALVES: SPORLAN "Q" SERIES STANDARD UNLESS OTHERWISE SPECIFIED.
4. DEFROST CONTROL: REMOTE CASES (N/A, DIGITAL CASE CONTROLLERS AVAILABLE), OPTIONAL CONDENSING UNIT (DIGITAL CASE CONTROLLER).
5. THERMOSTATS & LIQUID LINE SOLENOID VALVES: OPTIONAL.
6. DRAIN: 1 1/2 INCH PVC.
7. SPECIFICATIONS SUBJECT TO CHANGE WITHOUT NOTICE.

AUTHORIZATION (PRINT):	DATE:			 <b>börger systems</b>	DRAWN BY: D HUNT
SIGNATURE:		10-31-05 DRH	SCALE: 1:32		CHECKED BY:
		9-12-05 DRH	DATE: 4-12-05	4' SOUP HUTCH BG4SH	
		6-17-05 DRH			DRAWING NUMBER
		6-15-05 DRH			P4670A
		DATE	REV.	DIM: INCH	
		REVISION	TOL:		