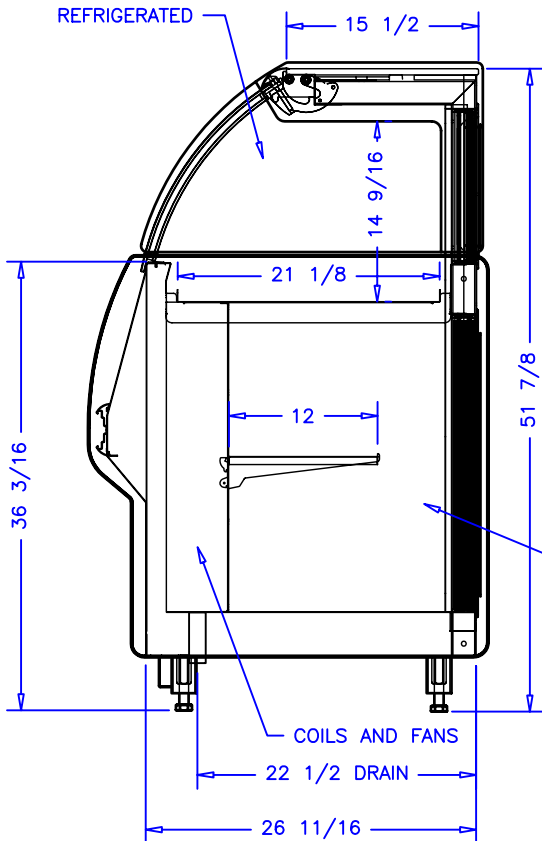
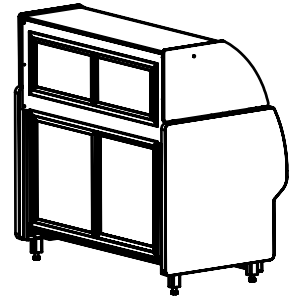
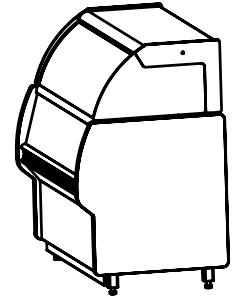
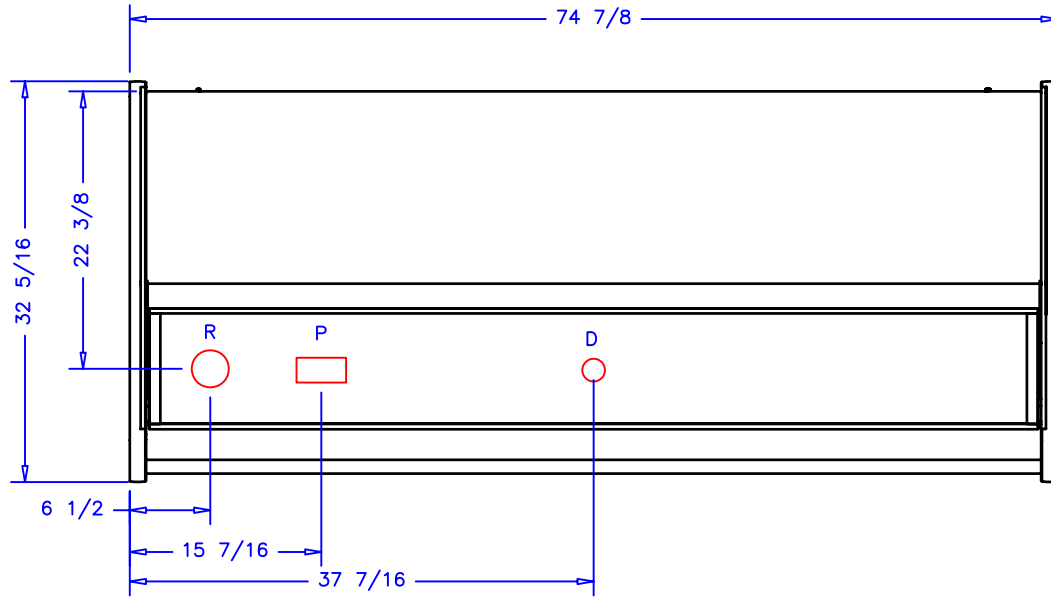


P=POWER SUPPLY BOX
 R=REFRIGERATION STUBS
 D=DRAIN STUB



DLI100 6' REMOTE PANINI SPECIFICATIONS:

REFRIGERATION
 LOAD: 3000 BTU/hr
 SUCTION TEMP: 20° F
 LIQUID LINE: 3/8IN ODS
 SUCTION LINE: 5/8IN ODS

ELECTRICAL 115VAC, 60HZ, 1PH.
 EVAP. FANS: 2.08A
 LIGHT BALLAST: .74A
 TOTAL: 2.82A

NOTES:

1. OPTIONS NOT SHOWN ON DRAWING SHOULD BE LISTED IN WRITTEN PROPOSAL AND LISTED ON PURCHASE ORDER.
2. ELEC. CONNECTION: 115V/230V, 4x4 SUPPLY BOX AS NEEDED.
3. EXPANSION VALVES: SPORLAN "Q" SERIES STANDARD UNLESS OTHERWISE SPECIFIED.
4. DEFROST CONTROL: REMOTE CASES (N/A, DIGITAL CASE CONTROLLERS AVAILABLE), OPTIONAL CONDENSING UNIT (DIGITAL CASE CONTROLLER).
5. THERMOSTATS & LIQUID LINE SOLENOID VALVES: OPTIONAL.
6. DRAIN: 1 1/2 INCH PVC.
7. SPECIFICATIONS SUBJECT TO CHANGE WITHOUT NOTICE.

AUTHORIZATION (PRINT):	DATE:	börger systems	
SIGNATURE:			
		SCALE: 1:16	DRAWN BY: D HUNT
		DATE: 6-15-05	CHECKED BY:
	6-17-05 DRH	6' PANINI BG4PAN	
DATE	REV.	Dim: INCH	DRAWING NUMBER
REVISION	TOL:		P4863A