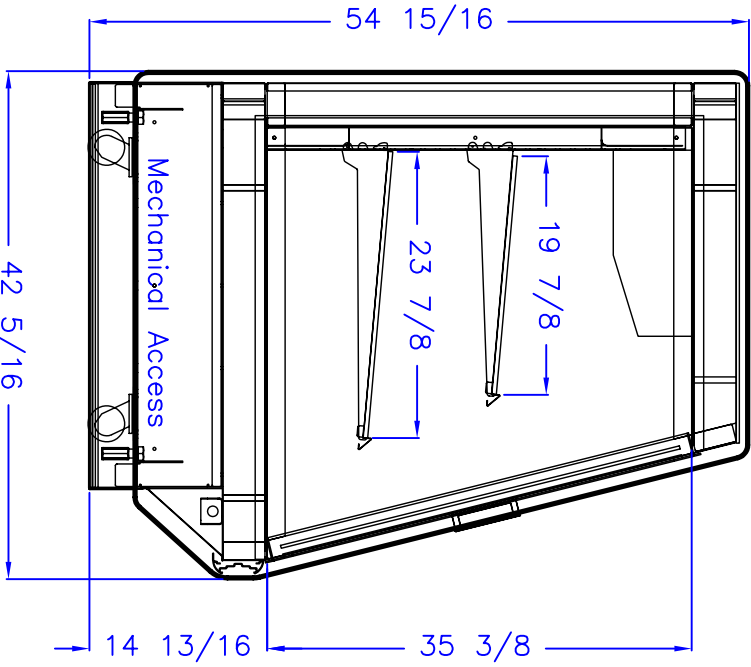


- Electrical Requirements**
- Door Heaters
120 V 5.23 Amp
 - Door Lights
120 V 1.95 Amp
 - Defrost Heater
208 V 5.2 Amp
 - Evap Fans
120 V 1.8 Amp



		<p style="text-align: center; font-size: 2em;">börger systems</p>	
		SCALE: 1:16	DRAWN BY: DWT
		DATE: 08/26/05	CHECKED BY:
		<p style="font-size: 1.5em;">6' FREEZER BGGFS</p>	
DATE	REV.	DIM:	DRAWING NUMBER
REVISION		TOL: ±1/32	P4708A