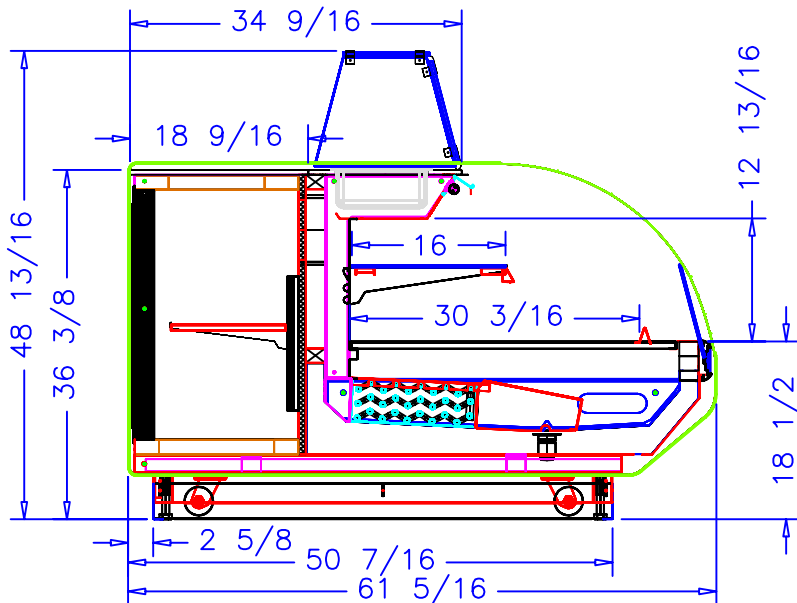
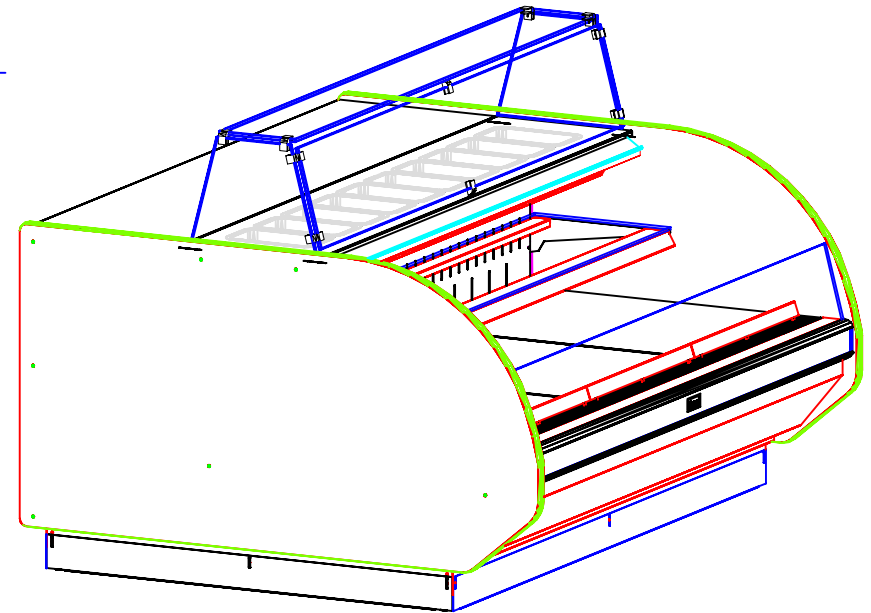


DLI100 6' FOOD PREP LOW
SPECIFICATIONS:

REFRIGERATION
LOAD: 6000 BTU/hr
SUCTION TEMP: 20° F
LIQUID LINE: 3/8IN ODS
SUCTION LINE: 5/8IN ODS

ELECTRICAL 115VAC, 60HZ, 1PH.
EVAP. FANS: 2.5A
LIGHT BALLAST: 1.5A
TOTAL: 5.66A



börger systems			
DATE: 8/25/04		CHECKED BY:	
6' FOOD PREP LOW BG6PL			
DATE	REV.	DIM: INCH	DRAWING NUMBER
REVISION		TOL: ±1/32	P4260A