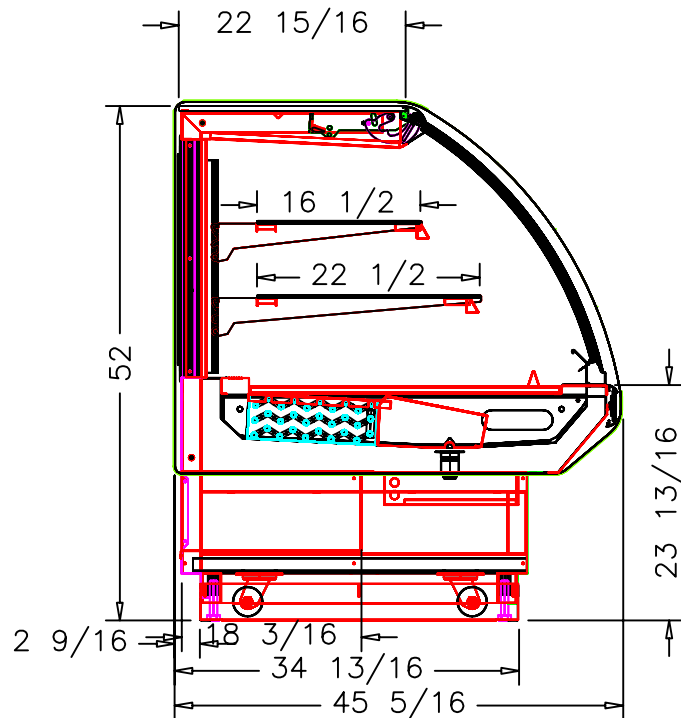


DLI100 6' REMOTE BAKERY  
SPECIFICATIONS:

REFRIGERATION  
 LOAD: 2550 BTU/hr  
 SUCTION TEMP: 20° F  
 LIQUID LINE: 3/8IN ODS  
 SUCTION LINE: 5/8IN ODS

ELECTRICAL 115VAC, 60HZ, 1PH.  
 EVAP. FANS: 1.04A  
 LIGHT BALLAST: .5A  
 TOTAL: 1.54A



<h1 style="margin: 0;">börger systems</h1>			
DATE: 10-21-03		CHECKED BY:	
<h2 style="margin: 0;">6' BAKERY BG6B</h2>			
DATE	REV.	DIM: INCH	DRAWING NUMBER
REVISION	TOL: ±1/32		P4265A