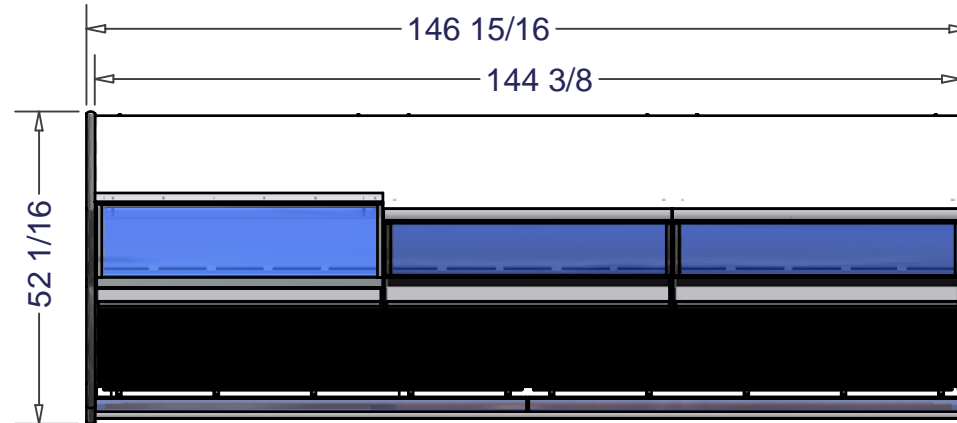
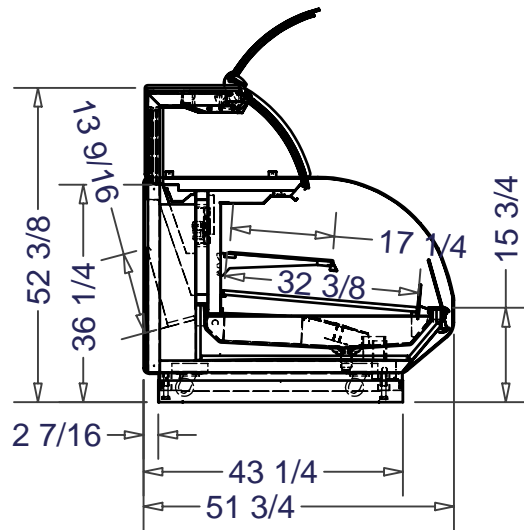


2



1

B



B

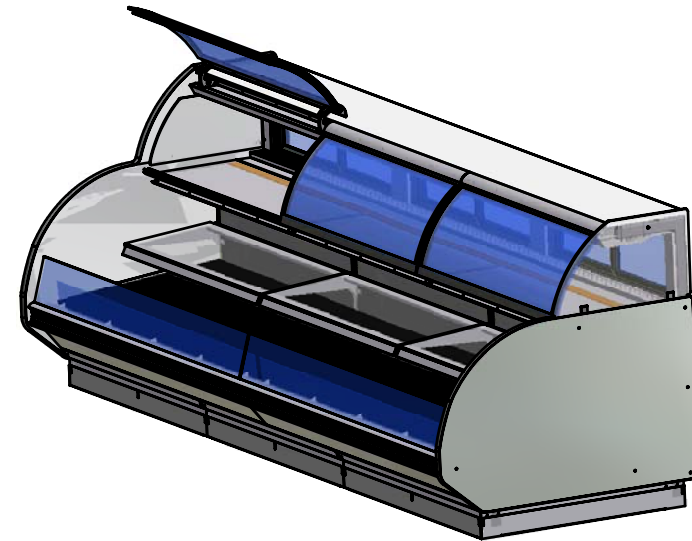
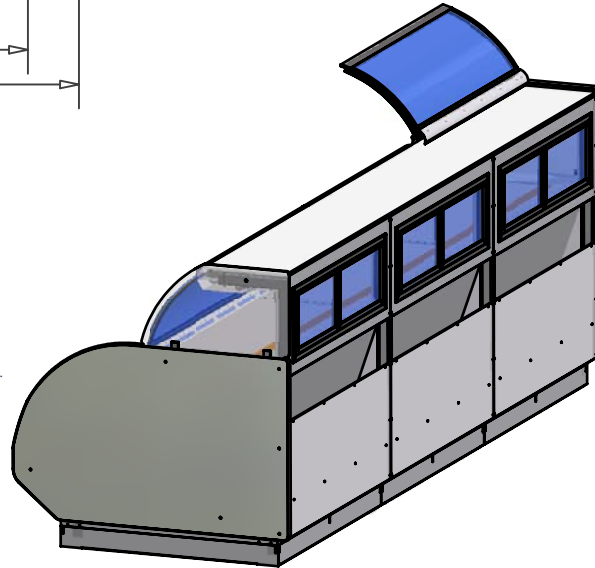
## CASE SPECIFICATIONS:

## REFRIGERATION

LOAD: 13,740 BTU/hr  
 SUCTION TEMP: 20° F  
 LIQUID LINE: 3/8IN ODS  
 SUCTION LINE: 5/8IN ODS

ELECTRICAL 115VAC, 60HZ, 1PH.  
 EVAP. FANS: 3.38A  
 LIGHT BALLAST: 2.25A  
 TOTAL: 5.63A  
 MCA: 15.0A

ADDITIONAL CONNECTIONS FOR:  
 LIQUID LINE SOLENOID VALVE  
 DISCHARGE AIR PROBE



A

1. OPTIONS NOT SHOWN ON DRAWING SHOULD BE LISTED IN WRITTEN PROPOSAL AND LISTED ON PURCHASE ORDER.
2. ELEC. CONNECTION: 115V/230V, 4x4 SUPPLY BOX AS NEEDED.
3. EXPANSION VALVES: SPORLAN "Q" SERIES STANDARD UNLESS OTHERWISE SPECIFIED.
4. DEFROST CONTROL: REMOTE CASES (N/A, DIGITAL CASE CONTROLLERS AVAILABLE), OPTIONAL CONDENSING UNIT (DIGITAL CASE CONTROLLER).
5. THERMOSTATS & LIQUID LINE SOLENOID VALVES: OPTIONAL.
6. DRAIN: 1 1/2 INCH PVC.
7. SPECIFICATIONS SUBJECT TO CHANGE WITHOUT NOTICE

2



1

A

		Borgen Systems 1901 Bell Avenue, Suite 2 Des Moines, IA 50315 <a href="http://www.borgensystems.com">www.borgensystems.com</a>
DATE:	4/10/2006	DRAWN BY: dont
<b>12 Ft Low Dome</b>		
DIM:	INCH	DRAWING NUMBER:
TOL:	+/- 1/32	<b>P4822A</b>