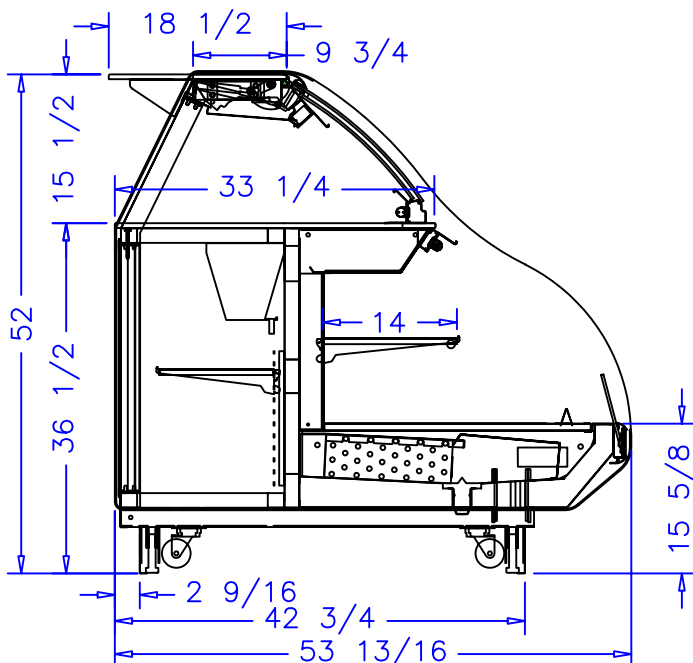


DLI100 12' REMOTE CAFE
SPECIFICATIONS:

REFRIGERATION
LOAD: XXXX BTU/hr
SUCTION TEMP: 20° F
LIQUID LINE: 3/8IN ODS
SUCTION LINE: 5/8IN ODS

ELECTRICAL 115VAC, 60HZ, 1PH.
EVAP. FANS: XXXA
LIGHT BALLAST: XXA
TOTAL: XXXA

NOTE, SEPARATE ISOLATED OUTLET PROVIDED



börger systems			
SCALE: 1:20	DLI100 SERIES		DRAWN BY: DWT
DATE: 10-21-03	DLI100 - 12C		CHECKED BY:
12' REMOTE CAFE			
DATE	REV.	DIM: INCH	DRAWING NUMBER
REVISION		TOL: ±1/32	P4274A